



Citi-el
LED up your business

+7 (499) 647-80-74

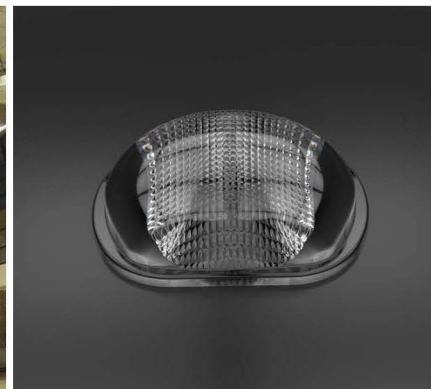
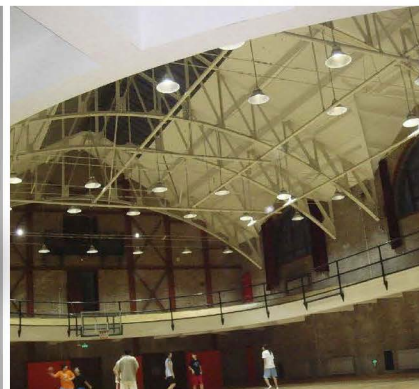
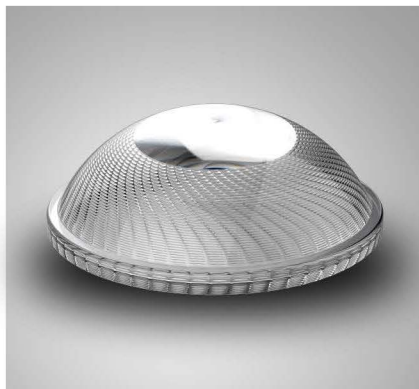
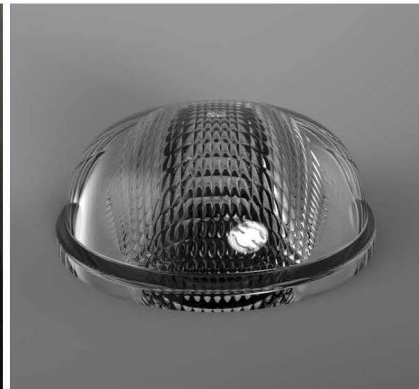
zakaz@citi-el.ru

www.citi-el.ru

GUANGTAI

PROFESSIONAL LED GLASS GLASS MANUFACTURER

LED GLASS LENS



2018

NEW PRODUCTS LED GLASS LENS

DIFFERENT OPTICAL SOLUTIONS

FOR DIFFERENT APPLICATION



GUANGTAI

About US	2
Core competitiveness	3
Lens Light Distribution List	4
New Products	5

LED Street Light Glass Lens(New Product)

GT-66-22NA	6
GT-78-60NA	8
GT-85-14NA	10
GT-100-69NA	12
GT-110-29NA	14

LED High Bay Glass Lens(New Product)

GT-50-53NA	16
GT-66-32NA	18
GT-78-31NA	20
GT-78-52NA	22
GT-78-53NA	24
GT-80-12NA	26
GT-92-17NA	28
GT-94-8NA	30
GT-100-20NA	32
GT-100-43NA	34
GT-114-4NA	36

Narrow Beam Angle Reflector Glass Lens

GT-78-65	38
GT-85-10	39
GT100-70	40

Glass lens for Projector and Fly Eyes

GT-40-5	41
GT-55-12	42
GT-66-24	43
GT-68-4	44



Wuxi Guangtai Glass Lens Co.,Ltd was founded in 2002. We have been specialized in the RD manufacture, trade and customer service of technical optical glass lenses and led lenses for many years. With our constant efforts, we have obtained rich experience in precision molding and mirror processing. Our main products are highpower led lenses, led packaging lenses, automobile light lenses, street light lenses, projector lenses and others. We have obtained many patents in LED glass lens industry. With our efforts, we design and develop many new products, such as glass lenses used for solar concentrate. In addition, we have our own core technique and independent property rights. Up to now, we have obtained 5 development patents and authorized new practical patents due to the constant efforts of our staff members. If you are interested in any of our products or would like to discuss a custom order, please feel free to contact us. We are looking forward to forming successful business relationships with new clients around the world in the near future.



Guangtai established in Wuxi of Jiangsu Province



Guangtai Wuxi Factory begin to mass production



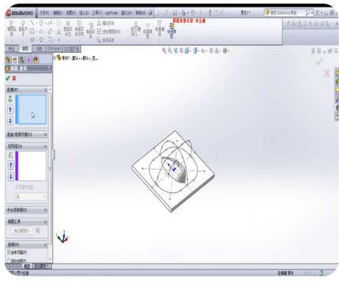
Guangtai International Sales Centre established

Certificate

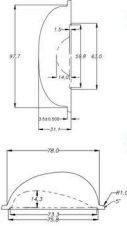


Exhibition





R&D/ Prototyping

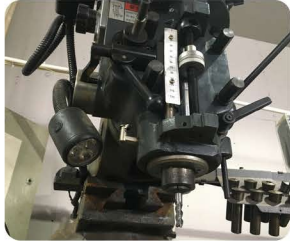
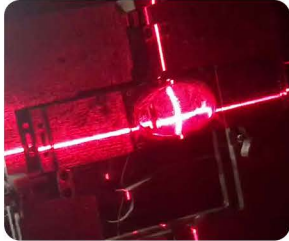


▶ Optical design

2-160 degree secondary optical design for LED extended snp to source / COB / integrated chips , to ensure optical distribution which could being suitable for lots of application; to let the lLuminous energy can be effective utilized for lighting purposes, and to provide any customized demand for most appropriate solutions

▶ Machinery

Fine mechanical structure design, not only can ensure the luminous efficiency for lots of application but also can increase the mechanical strength for the lamp assembly.



Mold Making

- Mold design and Making
- Ultra Precision Machines



Molding Press

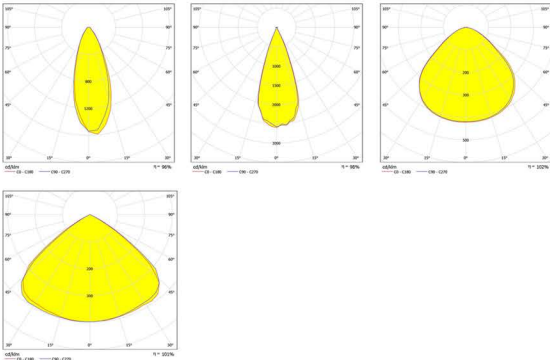
- Precision Molding Press
- Quality Control Inspection
- 300,000 PCS/Mont
- ISO9001/14001

Turn around time: within 25 days

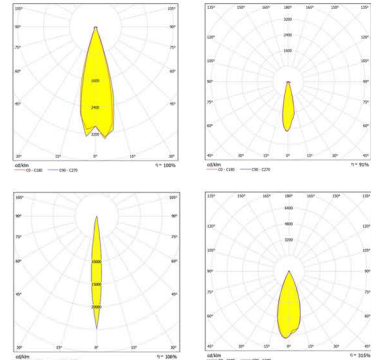


Can design customized light distribution optical glass lens for LED SMD source /COB/ integrated Chips

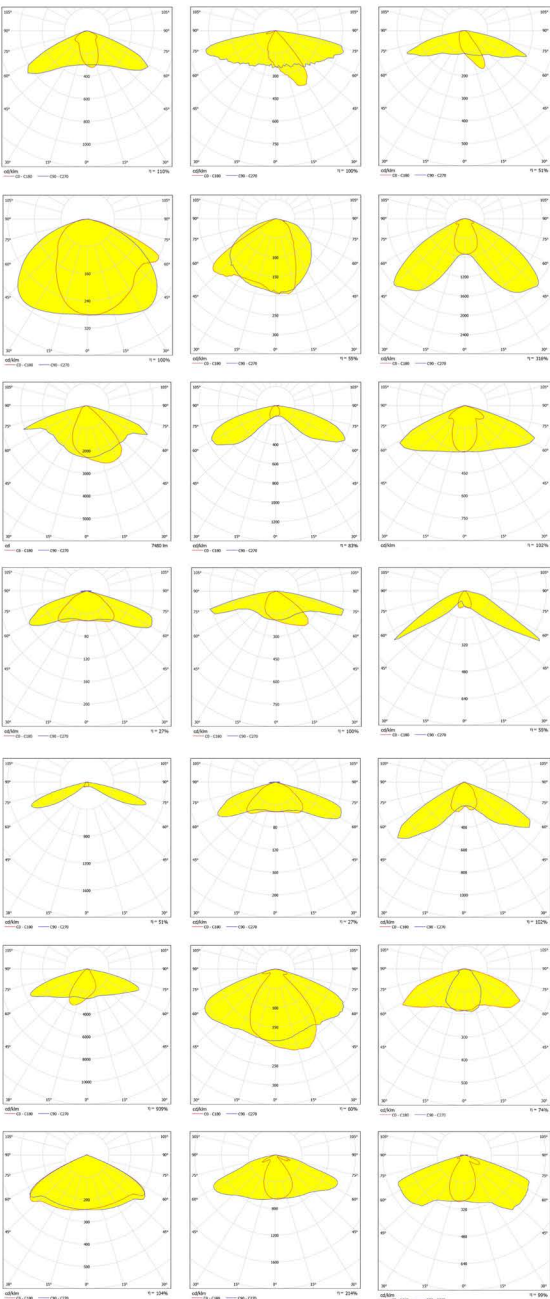
High bay Lighting



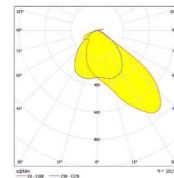
Narrow Beam lighting



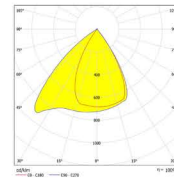
Street Lighting



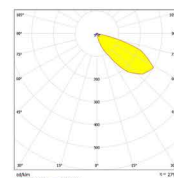
High-pole Lighting



Stadium lighting



Polarized / Tunnel Lighting



NEW RELEASE

LED Street Lighting Glass Lens

High Performance

Hot-Sale Product



NEW PRODUCTS

LED High Bay Light Glass Lens

High Performance

Hot-Sale Product



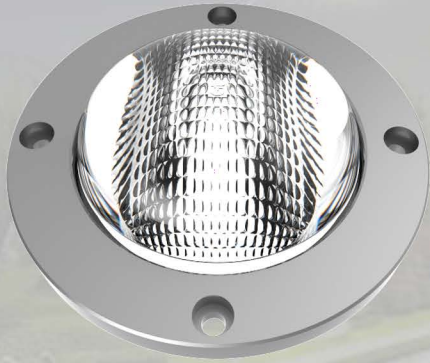
NEW RELEASE

Latest Led Street Light Glass Lens from Page 6 to Page 15

Latest Led High Bay Light Glass Lens from Page 16 to Page 36

Narrow Beam Angle Reflector Glass Lens from Page 38 to Page 40

Glass lens for Projector and Fly Eyes from Page 41to Page 44



GT-66-22 NA

Excellent lens from Guangtai
Special for high standard
street lighting, road lighting and project lighting

NEW

FEATURES

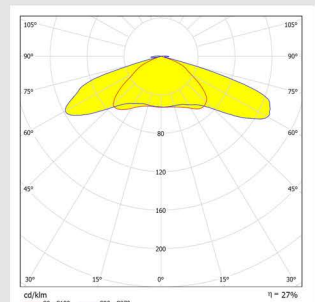
- New design and optical performances are Excellent.
- Widely used for one side road, two side road.
- With the micro matrix structure for the anti-glare design.
- Good for poles with 1 - 2 m overhang.

TYPICAL APPLICATIONS

- Street lighting
- Road lighting
- Project lighting

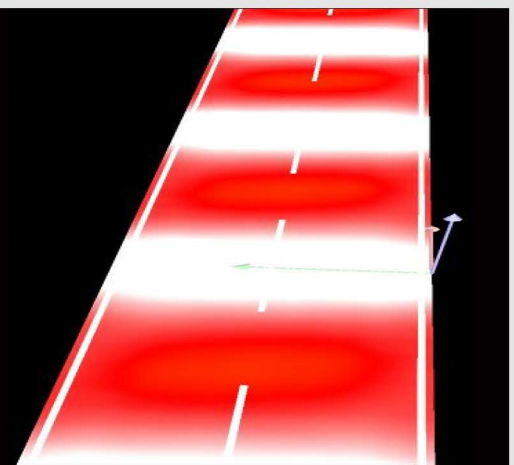
Optical Data

Type:	Type II Medium
FWHM:	65°- 140°
Asymmetric Angle:	0°
Led(W):	10~50
Luminous surface(mm):	Ø9.8~22
D*H(mm) :	66*24.4
Material:	Borosilicate Glass
Tolerance(mm):	±0.3
Working Temp (°C) :	-50~450

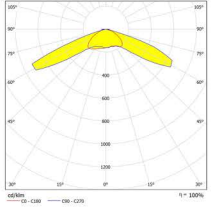


Typical efficiency: 95%

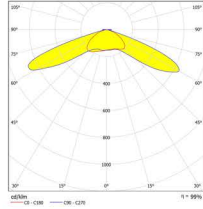
- Arrangement complies with luminous intensity
- Glare index class & UGR
- RESULTS:
- UO:0.7
- UI:0.8
- TI: 7



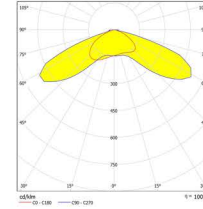
LIGHT DISTRIBUTION CURVE



Led Luminous
Surface:
Ø12.5mm

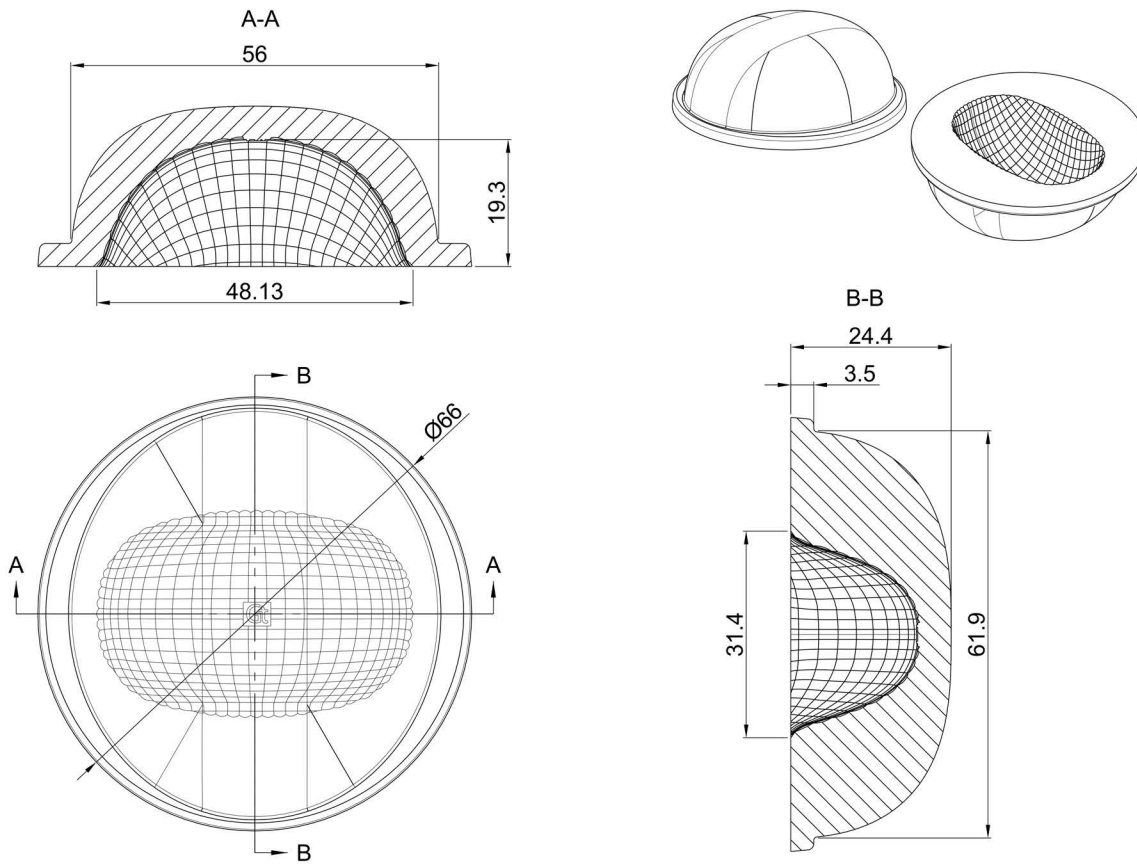


Led Luminous
Surface:
Ø14.5mm



Led Luminous
Surface:
Ø22mm

PARAMETERS





GT-78-60

Excellent lens from Guangtai
Special for high standard
street lighting, road lighting and project lighting

NEW

FEATURES

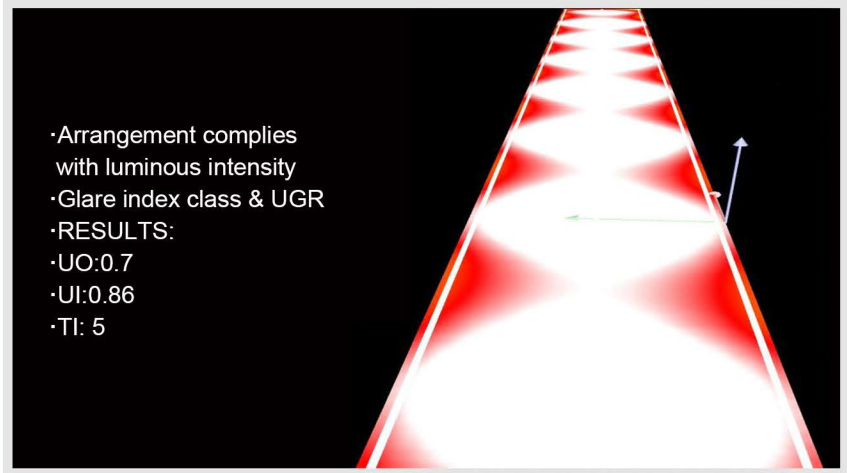
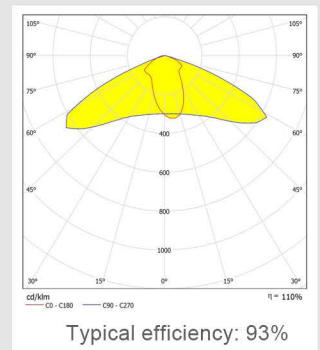
- New design and optical performances are Excellent.
- Widely used for one side road, two side road.
- With the micro matrix structure for the anti-glare design.
- Good for poles with 1 - 2 m overhang.

TYPICAL APPLICATIONS

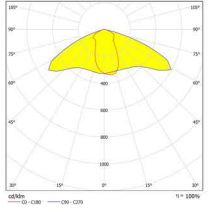
- Street lighting
- Road lighting
- Project lighting

Optical Data

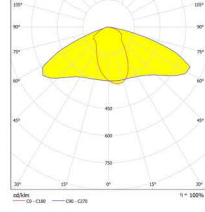
Type:	Type II Medium
FWHM:	60°-135°
Asymmetric Angle:	0°
Led(W):	10~50
Luminous surface(mm):	∅12.5~22
D*H(mm) :	78*25.3
Material:	Borosilicate Glass
Tolerance(mm):	±0.3
Working Temp (°C) :	-50~450



LIGHT DISTRIBUTION CURVE

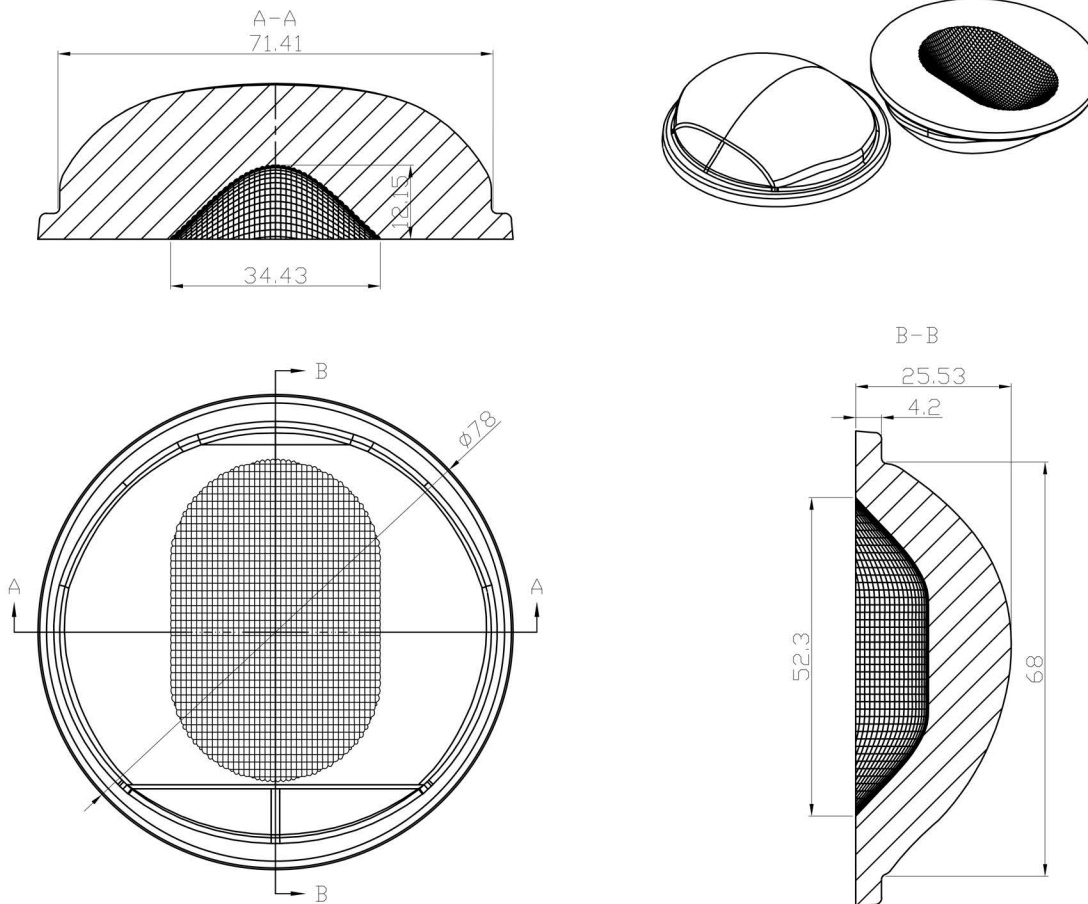


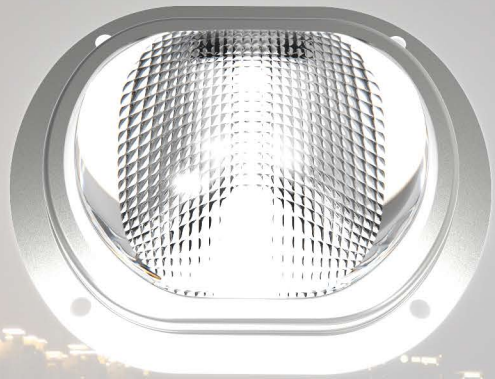
Led Luminous
Surface:
Ø9.8mm



Led Luminous
Surface:
Ø14.5mm

PARAMETERS





GT-85-14 NA

Excellent lens from Guangtai
Special for high standard
street lighting, road lighting and project lighting

NEW

FEATURES

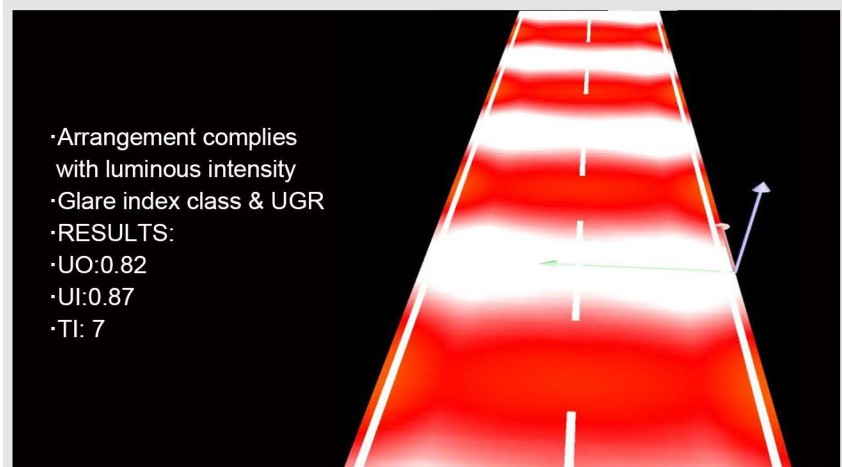
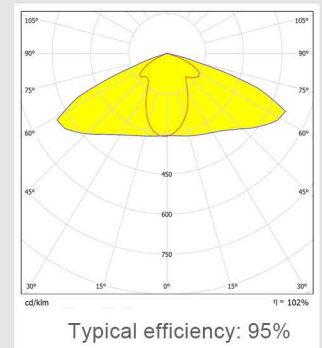
- New design and optical performances are Excellent.
- Widely used for one side road, two side road.
- With the micro matrix structure for the anti-glare design.
- Good for poles with 1 - 2 m overhang.

TYPICAL APPLICATIONS

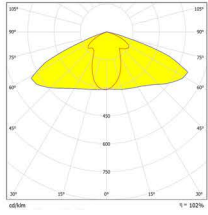
- Street lighting
- Road lighting
- Project lighting

Optical Data

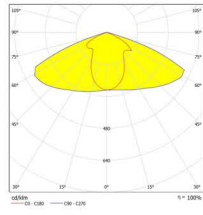
Type:	Type II Medium
FWHM:	64°-102°
Asymmetric Angle:	0°
Led(W):	10~50
Luminous surface(mm):	Ø9.8~22
D*H(mm) :	84.8*69.2*26.25
Material:	Borosilicate Glass
Tolerance(mm):	±0.3
Working Temp (□) :	-50~450



LIGHT DISTRIBUTION CURVE

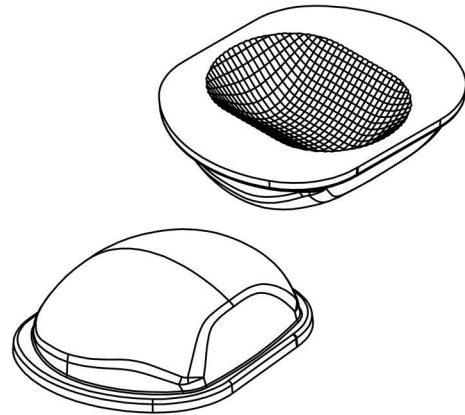
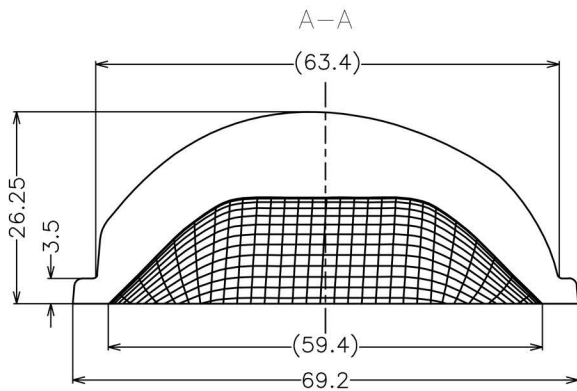
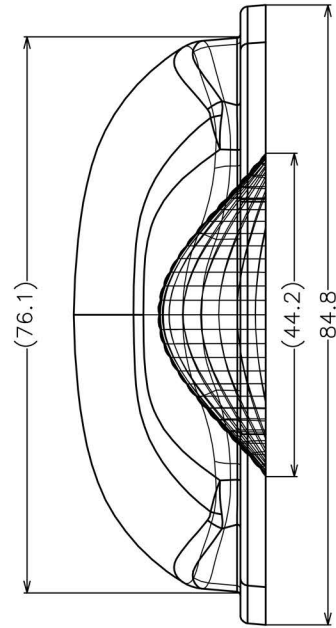
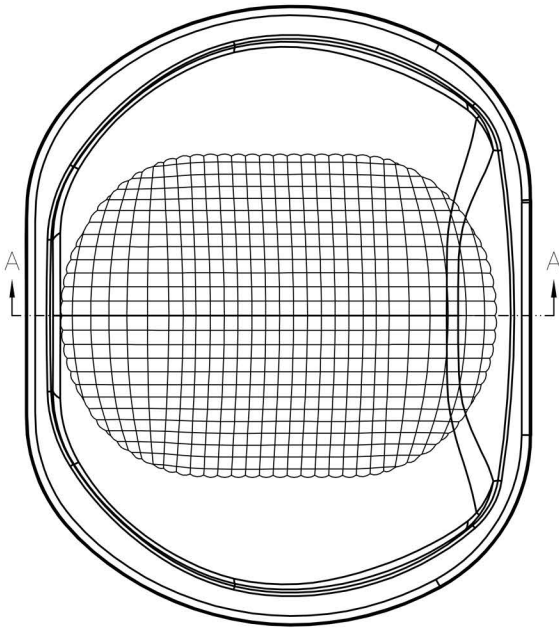


Led Luminous
Surface:
Ø17.5mm



Led Luminous
Surface:
Ø22mm

PARAMETERS





GT-100-69NA

Excellent lens from Guangtai
Special for high standard Polarized glass lens
Especially for tunnel, street & road lighting

NEW

FEATURES

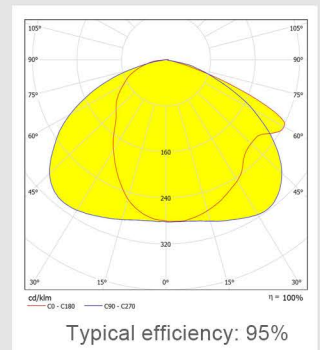
- New design and optical performances are Excellent.
- Widely used for one side road, two side road.
- With the micro matrix structure for the anti-glare design.
- Good for poles with 2 m overhang.

TYPICAL APPLICATIONS

- Street lighting
- Road lighting
- Project lighting

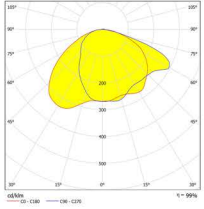
Design Example

Type :	Type II Medium
FWHM:	112*60°
Asymmetric Angle:	30°
LED(W):	50~300
Luminous surface(mm):	Ø14~32
D*H(mm) :	100*32.3
Material:	Borosilicate Glass
Tolerance(mm):	±0.3
Working Temp (□) :	-50~450

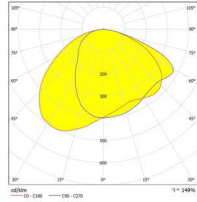


- No luminous intensities above 80"
- Arrangement complies with luminous intensity glare index class
- RESULTS:
- UO:0.8
- UI:0.84
- TI: 0.8

LIGHT DISTRIBUTION CURVE

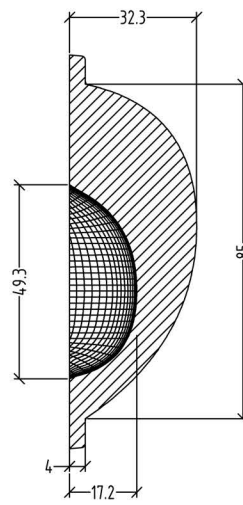
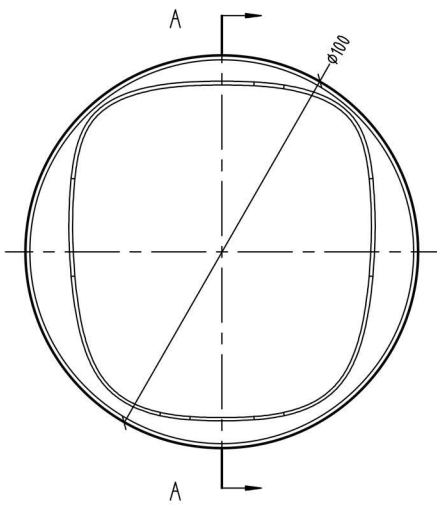


Led Luminous
Surface:
Ø12.5mm

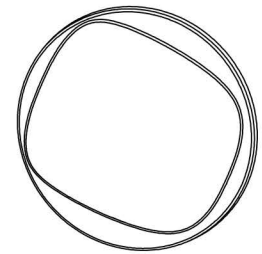
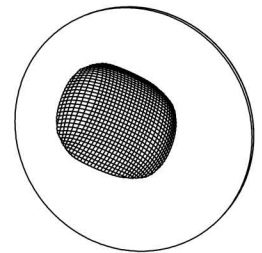
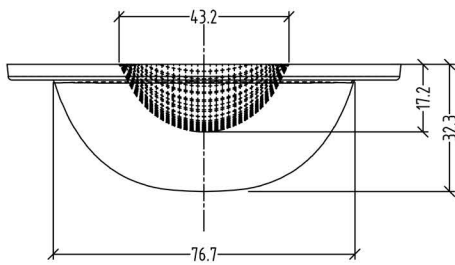


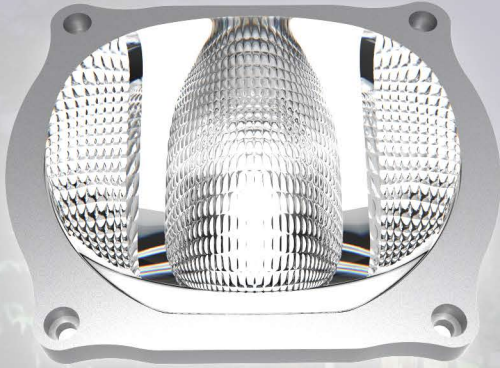
Led Luminous
Surface:
Ø14.5mm

PARAMETERS



SECTION A - A





GT-110-29NA

Excellent lens from Guangtai
Special for high standard Polarized glass lens
Especially for tunnel, street & road lighting

NEW

FEATURES

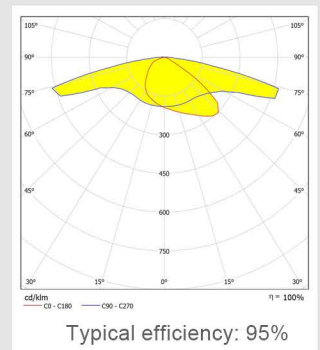
- New design and optical performances are Excellent.
- Widely used for one side road, two side road.
- With the micro matrix structure for the anti-glare design.
- Good for poles with 2 m overhang.

TYPICAL APPLICATIONS

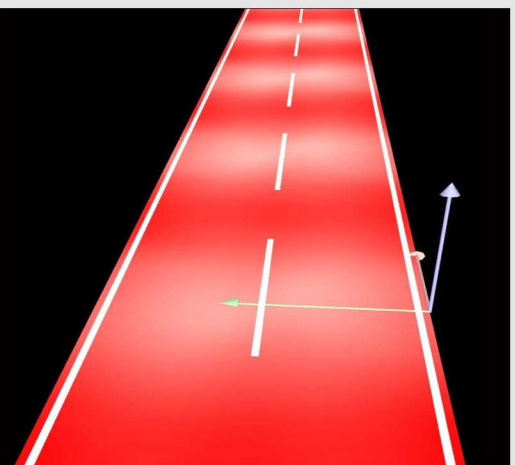
- Street lighting
- Road lighting
- Project lighting

Design Example

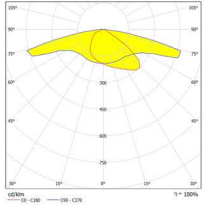
Type :	Type II Medium
FWHM:	124*71°
Asymmetric Angle:	30°
LED(W):	50~300
Luminous surface(mm):	Ø14~32
D*H(mm) :	86.8*106.3*30.43
Material:	Borosilicate Glass
Tolerance(mm):	±0.3
Working Temp (□) :	-50~450



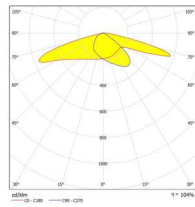
- No luminous intensities above 80"
- Arrangement complies with luminous intensity glare index class
- RESULTS:
- UO:0.9
- UI:0.98
- TI: 12



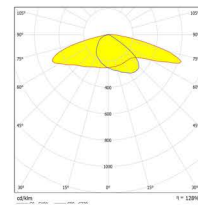
LIGHT DISTRIBUTION CURVE



Led Luminous
Surface:
Ø12.5mm

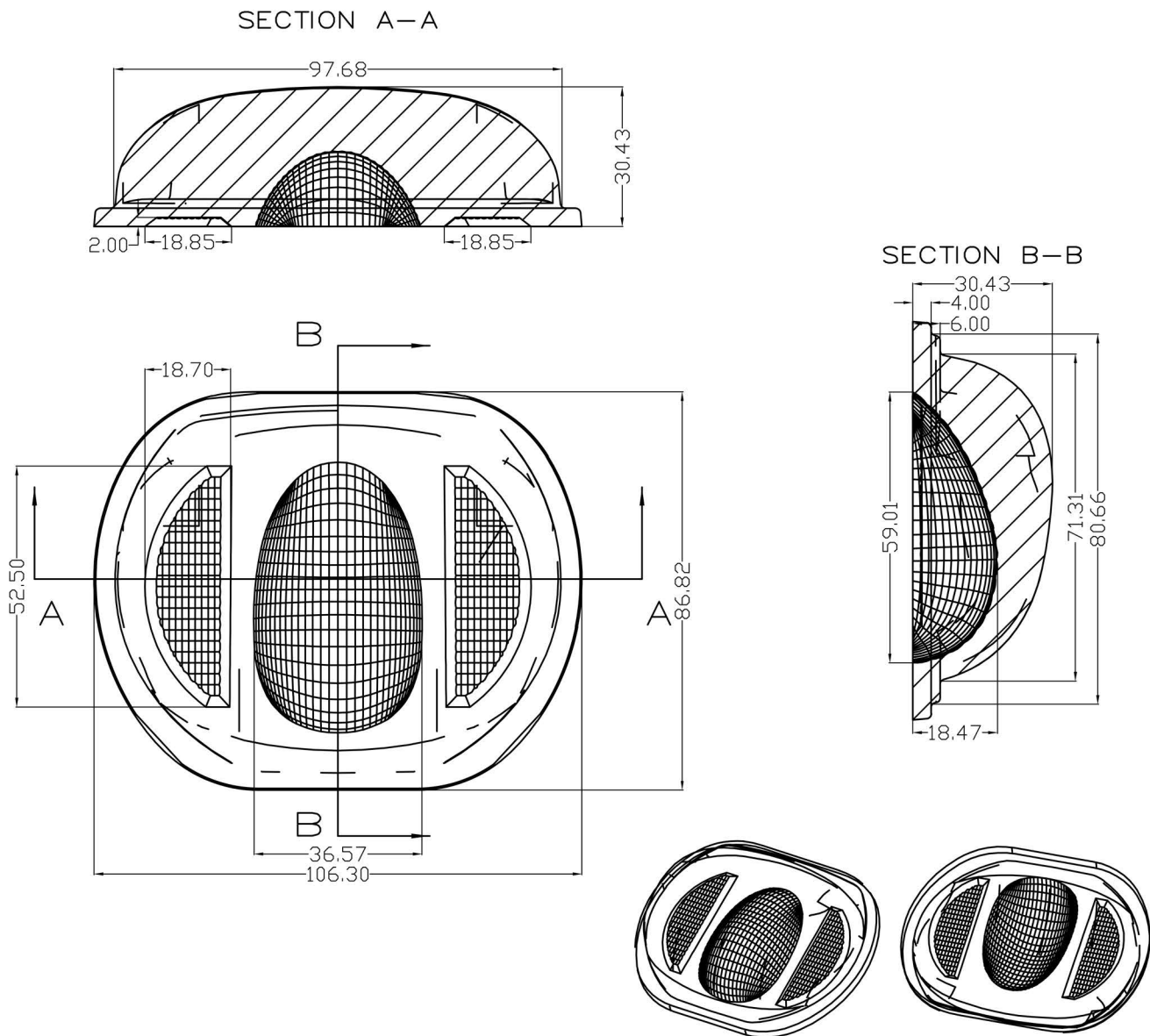


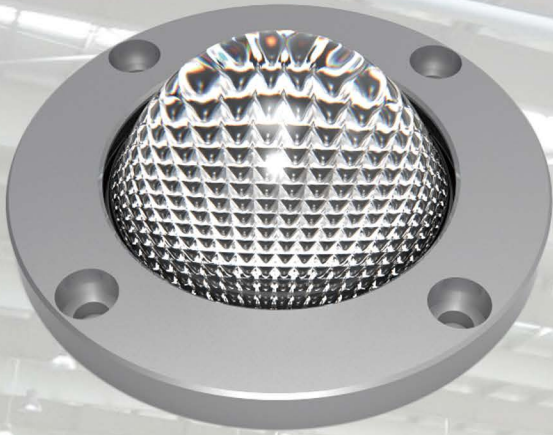
Led Luminous
Surface:
Ø14.5mm



Led Luminous
Surface:
Ø22mm

PARAMETERS





GT-50-53NA

Excellent lens from GUANG TAI

Especially for high bay lighting

NEW

FEATURES

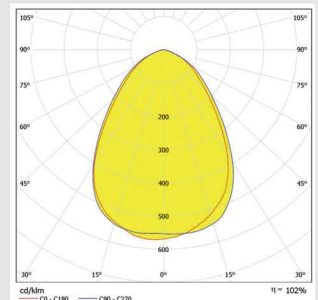
- Suitable for high bay lighting, projector lighting and other indoor architectural and general lighting
- Has extremely low glare with the function of micro-structures
- Supporting a wide range of different size COB

TYPICAL APPLICATIONS

- High bay lighting

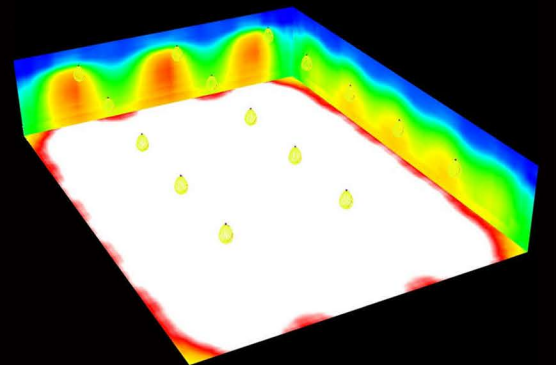
DESIGN EXAMPLE

FWHM:	77.6°
LED (W):	10-30
Luminous Surface(mm):	Φ6~15
DXH(mm):	50X23.5
Material:	Borosilicate Glass
Tolerance(mm) ±:	± 0.3
Working Temp (°C):	-50~450

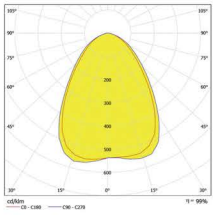


Typical efficiency: 95%

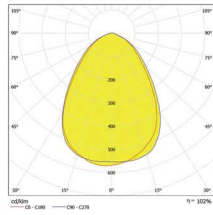
- High efficiency and excellent uniformity
- Perfect for industrial halls and horticultural lighting
- Spot, medium and wide beams



LIGHT DISTRIBUTION CURVE

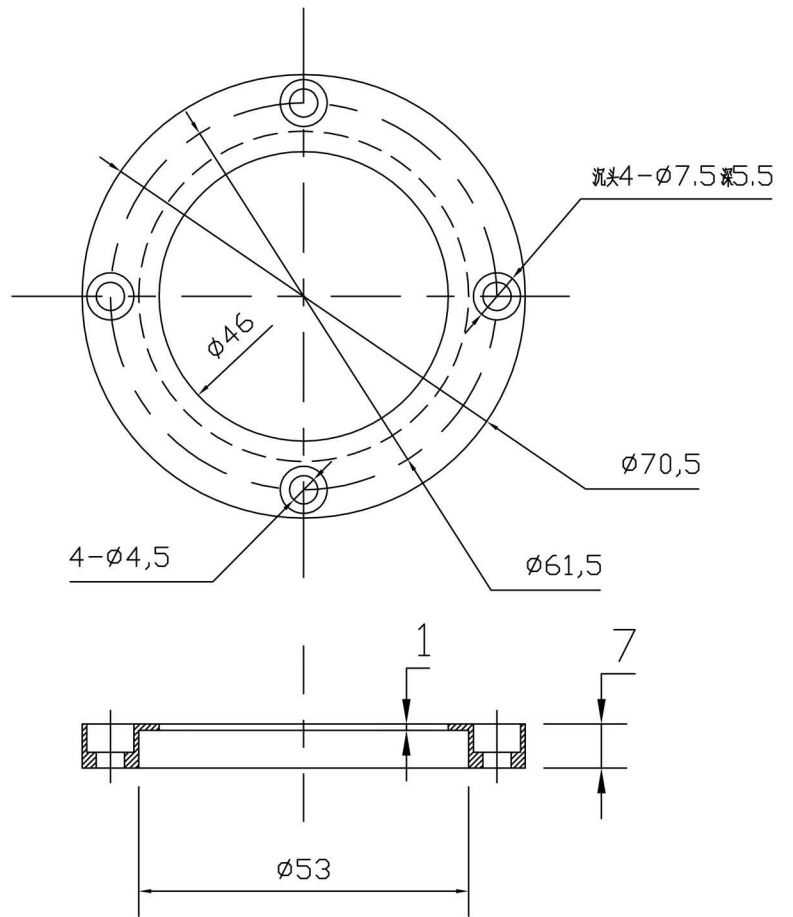
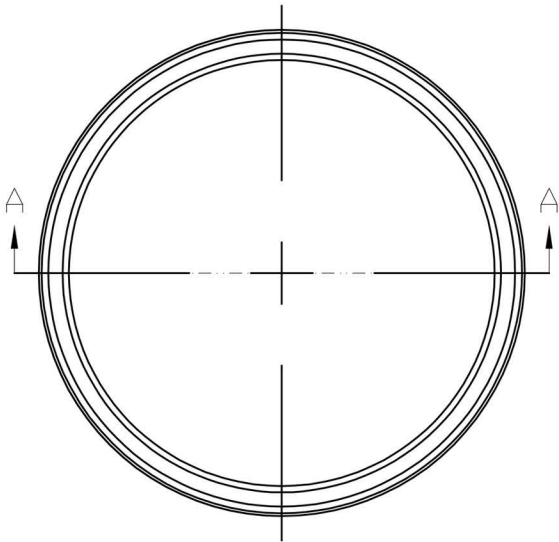
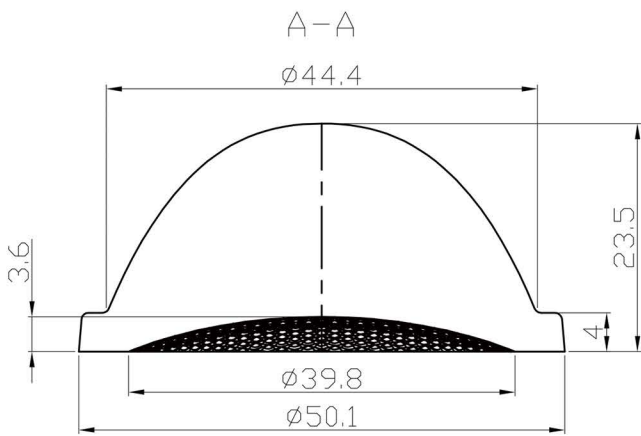


Led Luminous
Surface:
Ø11.2mm



Led Luminous
Surface:
Ø17mm

PARAMETERS





GT-66-32NA

Excellent lens from GUANG TAI
Especially for high bay lighting

NEW

FEATURES

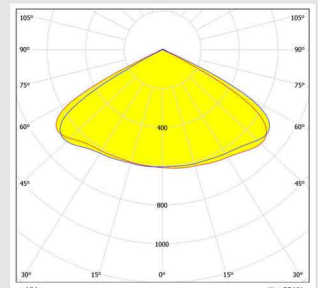
- Suitable for high bay lighting, projector lighting and other indoor architectural and general lighting
- Has extremely low glare with the function of micro-structures
- Supporting a wide range of different size COB

TYPICAL APPLICATIONS

- High bay lighting

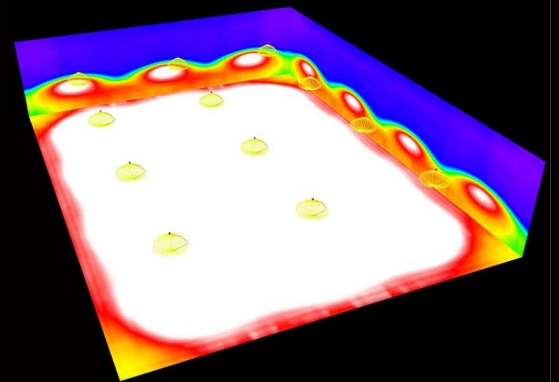
DESIGN EXAMPLE

FWHM:	125°
LED (W):	10-30
Luminous Surface(mm):	Φ16-20
DXH(mm):	66X21
Material:	Borosilicate Glass
Tolerance(mm) ±:	± 0.3
Working Temp (°C):	-50~450

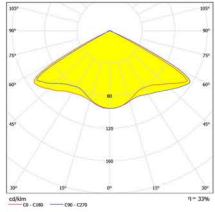


Typical efficiency: 94%

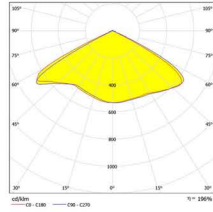
- High efficiency and excellent uniformity
- Perfect for industrial halls and horticultural lighting
- Spot, medium and wide beams



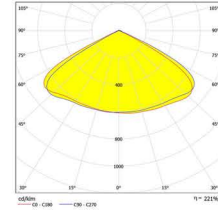
LIGHT DISTRIBUTION CURVE



Led Luminous
Surface:
Ø17mm

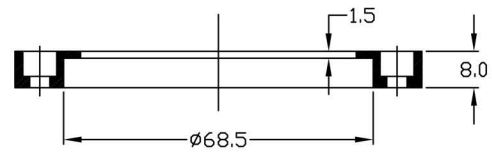
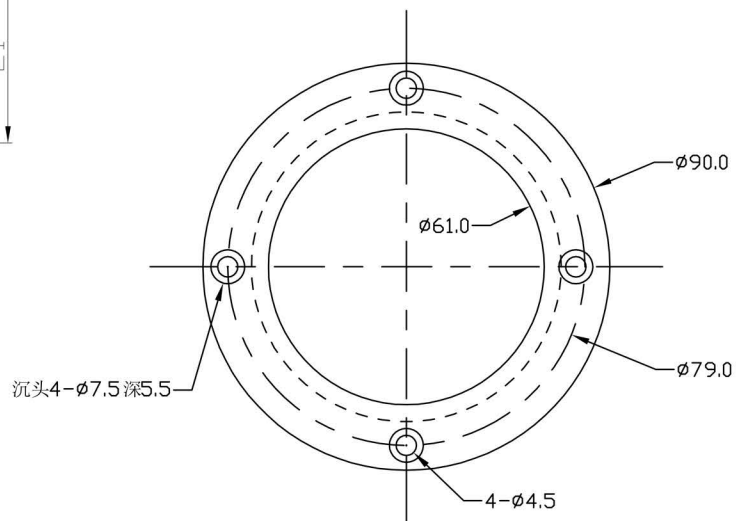
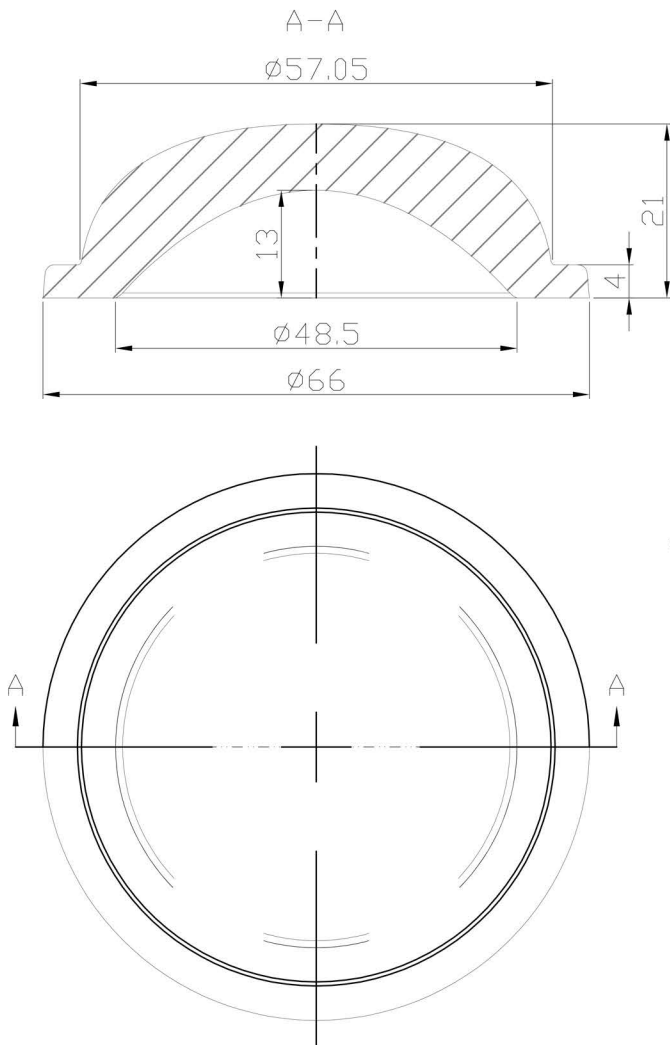


Led Luminous
Surface:
Ø24.5mm



Led Luminous
Surface:
Ø35.5mm

PARAMETERS





GT-78-31NA

Excellent lens from GUANG TAI
Especially for high bay lighting

NEW

FEATURES

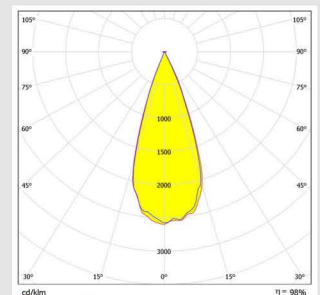
- Suitable for high bay lighting, projector lighting and other indoor architectural and general lighting
- Has extremely low glare with the function of micro-structures
- Supporting a wide range of different size COB

TYPICAL APPLICATIONS

- High bay lighting

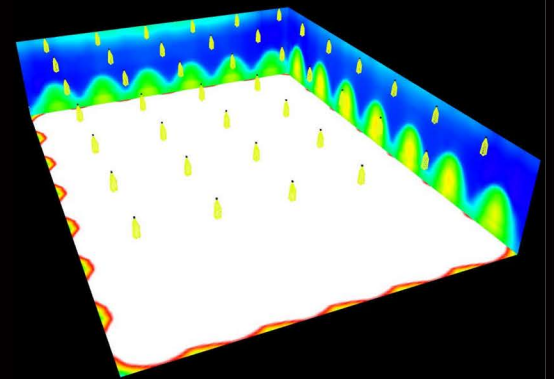
DESIGN EXAMPLE

FWHM:	37.4°
LED (W):	10-200
Luminous Surface(mm):	Φ13~20
DXH(mm):	78*44
Material:	Borosilicate Glass
Tolerance(mm) ±:	± 0.3
Working Temp (°C):	-50~450

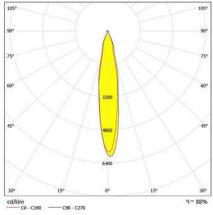


Typical efficiency: 94%

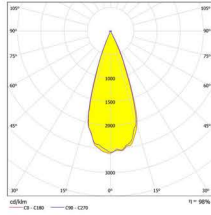
- High efficiency and excellent uniformity
- Perfect for industrial halls and horticultural lighting
- Spot, medium and wide beams



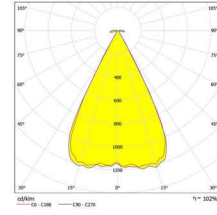
LIGHT DISTRIBUTION CURVE



Led Luminous
Surface:
Ø11.2mm

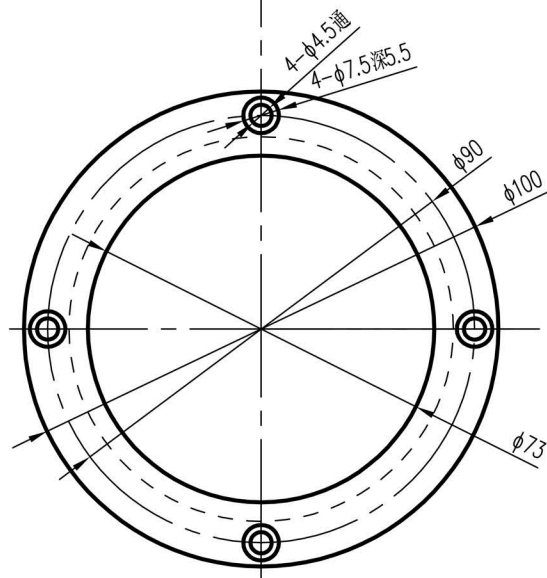
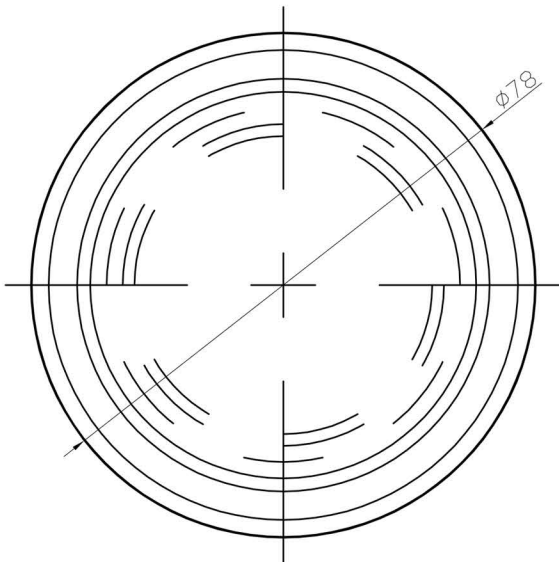
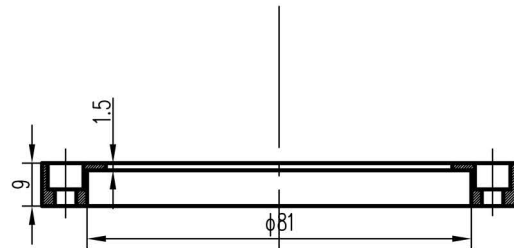
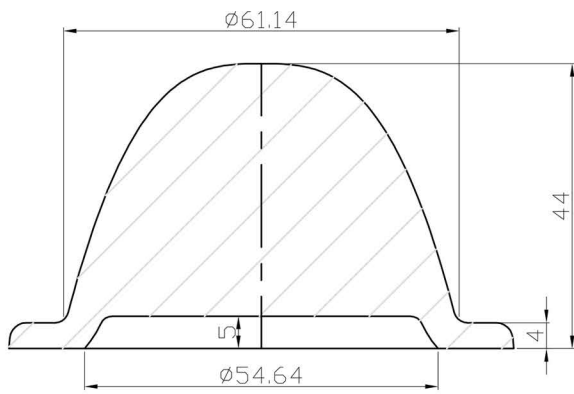


Led Luminous
Surface:
Ø18mm



Led Luminous
Surface:
Ø29mm

PARAMETERS





GT-78-52NA

Excellent lens from GUANG TAI

Especially for high bay lighting

NEW

FEATURES

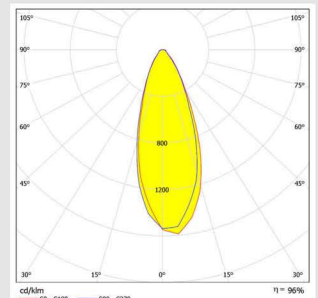
- Suitable for high bay lighting, projector lighting and other indoor architectural and general lighting
- Has extremely low glare with the function of micro-structures
- Supporting a wide range of different size COB

TYPICAL APPLICATIONS

- High bay lighting

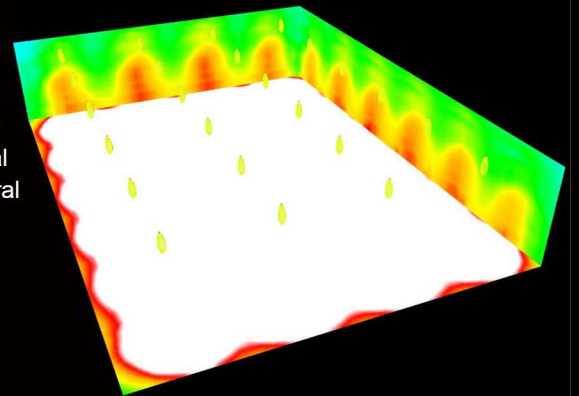
DESIGN EXAMPLE

FWHM:	37.6°
LED (W):	10-200
Luminous Surface(mm):	Φ16~25
DXH(mm):	77.6X45.2
Material:	Borosilicate Glass
Tolerance(mm) \pm :	± 0.3
Working Temp (°C):	-50~450

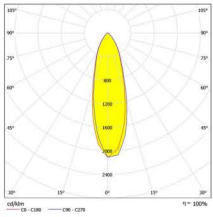


Typical efficiency: 92%

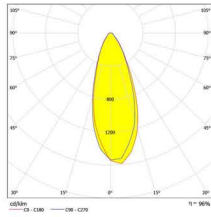
- High efficiency and excellent uniformity
- Perfect for industrial halls and horticultural lighting
- Spot, medium and wide beams



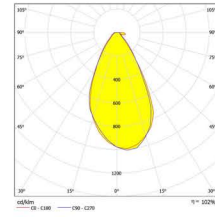
LIGHT DISTRIBUTION CURVE



Led Luminous
Surface:
Ø17mm

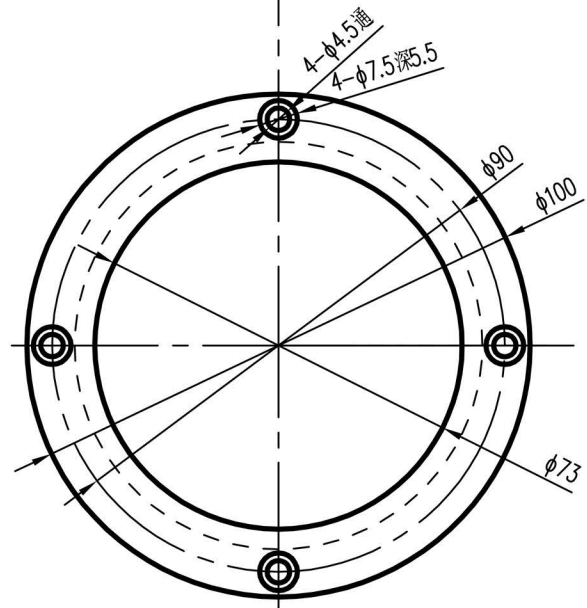
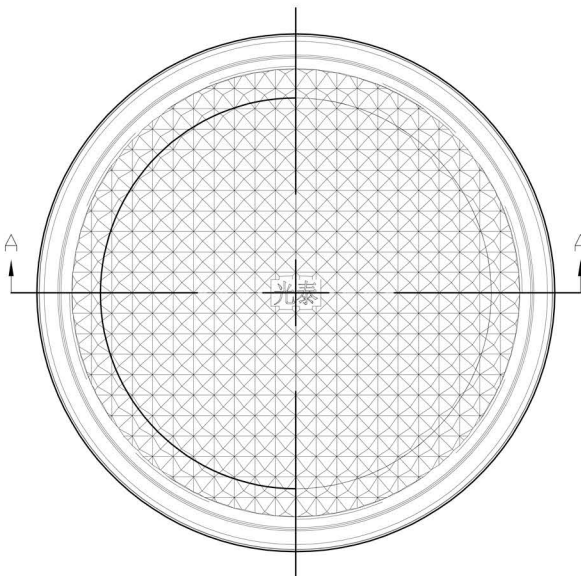
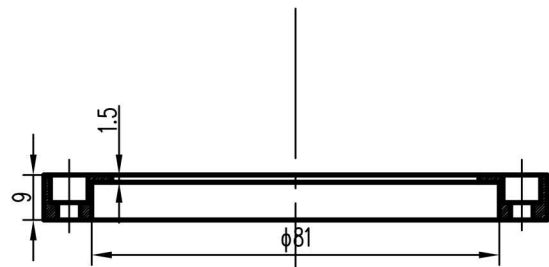
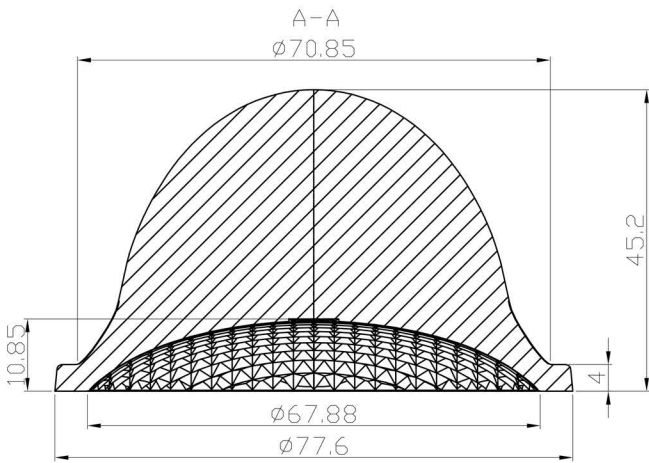


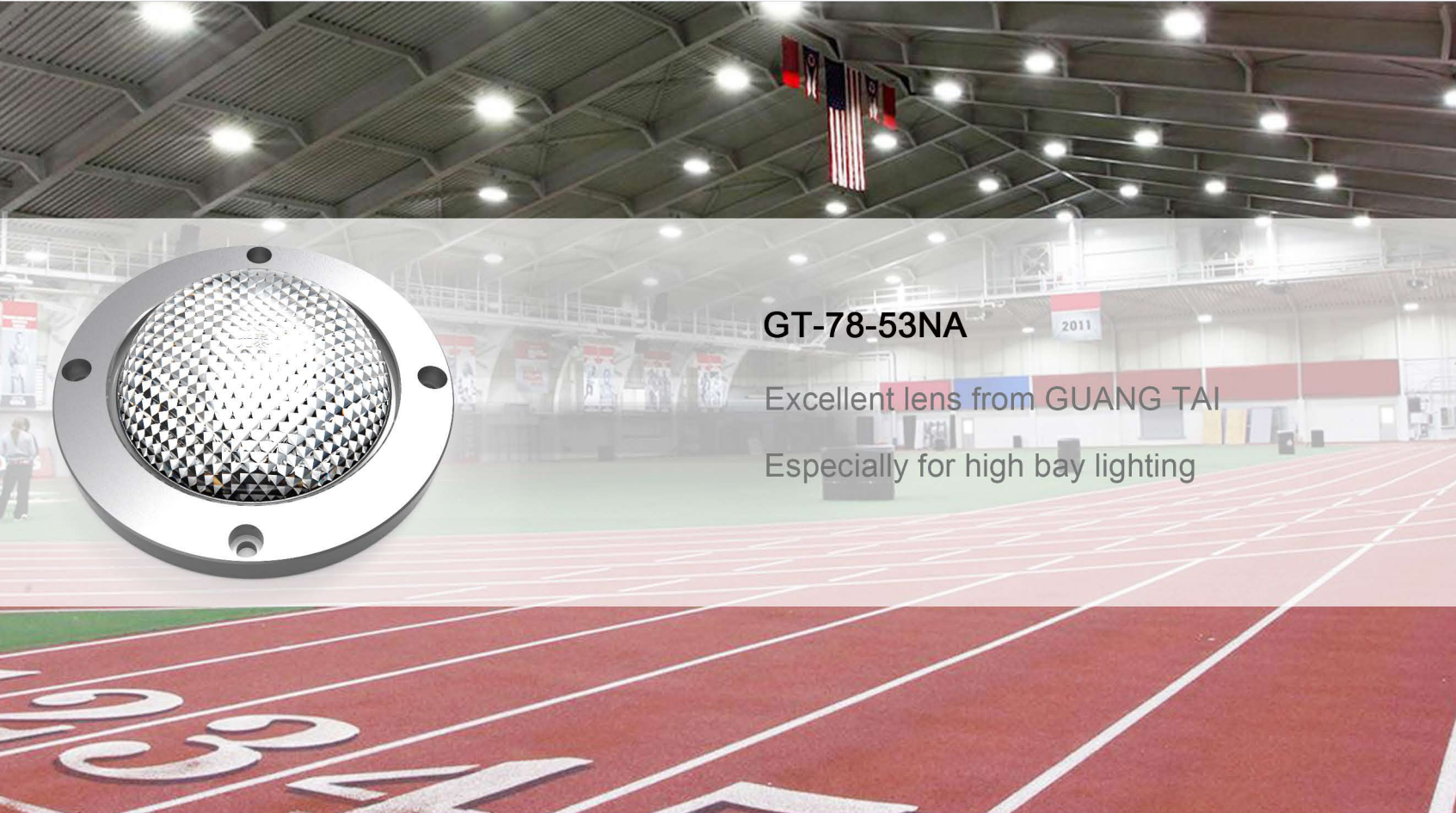
Led Luminous
Surface:
Ø24.5mm



Led Luminous
Surface:
Ø35.5mm

PARAMETERS





GT-78-53NA

Excellent lens from GUANG TAI
Especially for high bay lighting

NEW

FEATURES

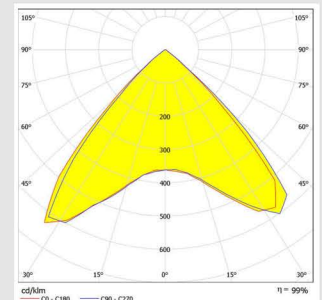
- Suitable for high bay lighting, projector lighting and other indoor architectural and general lighting
- Has extremely low glare with the function of micro-structures
- Supporting a wide range of different size COB

TYPICAL APPLICATIONS

- High bay lighting

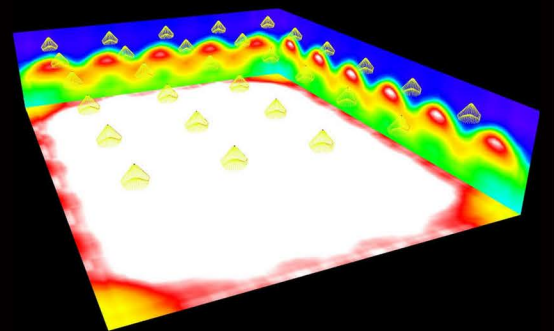
DESIGN EXAMPLE

FWHM:	93.4°
LED (W):	10-200
Luminous Surface(mm):	Φ16~25
DXH(mm):	77.6X30.2
Material:	Borosilicate Glass
Tolerance(mm) ±:	± 0.3
Working Temp (°C):	-50~450

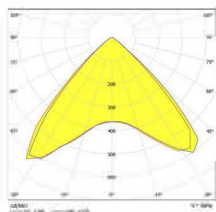


Typical efficiency: 92%

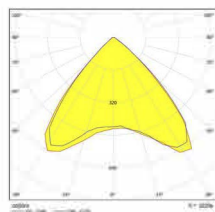
- High efficiency and excellent uniformity
- Perfect for industrial halls and horticultural lighting
- Spot, medium and wide beams



LIGHT DISTRIBUTION CURVE

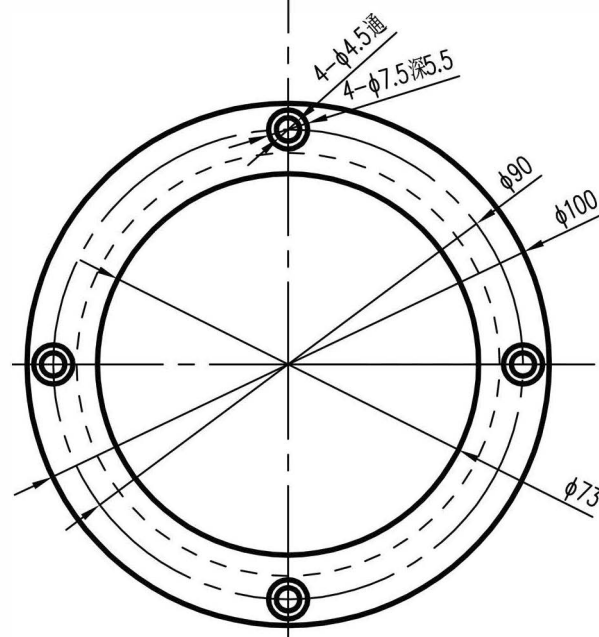
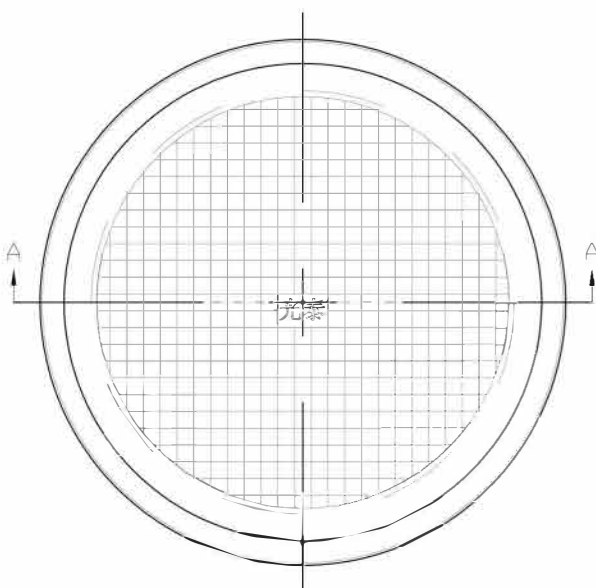
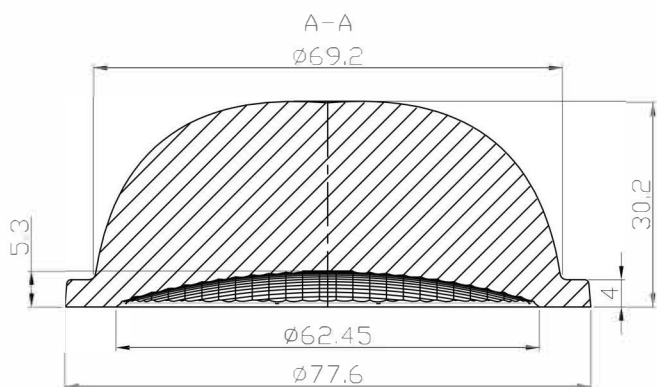


Led Luminous
Surface:
Ø17mm



Led Luminous
Surface:
Ø24.5mm

PARAMETERS





GT-80-12NA

Excellent lens from GUANG TAI

Especially for high bay lighting

NEW

FEATURES

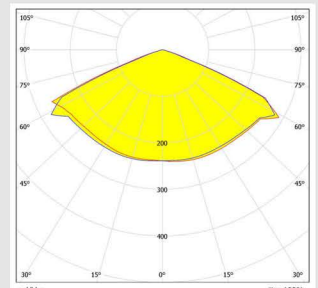
- Suitable for high bay lighting, projector lighting and other indoor architectural and general lighting
- Has extremely low glare with the function of micro-structures
- Supporting a wide range of different size COB

TYPICAL APPLICATIONS

- High bay lighting

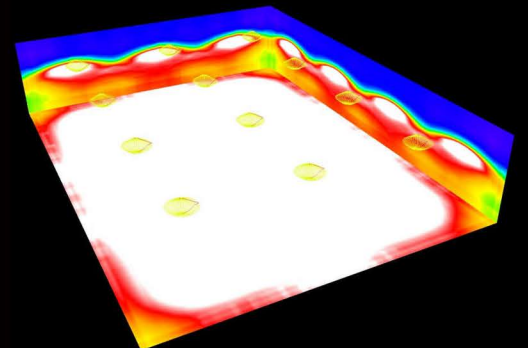
DESIGN EXAMPLE

FWHM:	136.9°
LED (W):	10-200
Luminous Surface(mm):	Φ16~25
DXH(mm):	80X27.4
Material:	Borosilicate Glass
Tolerance(mm) \pm :	± 0.3
Working Temp (°C):	-50~450

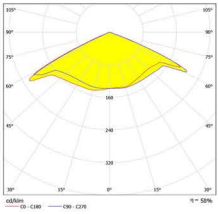


Typical efficiency: 96%

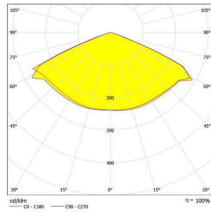
- High efficiency and excellent uniformity
- Perfect for industrial halls and horticultural lighting
- Spot, medium and wide beams



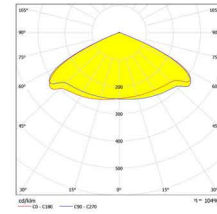
LIGHT DISTRIBUTION CURVE



Led Luminous
Surface:
Ø12.5mm

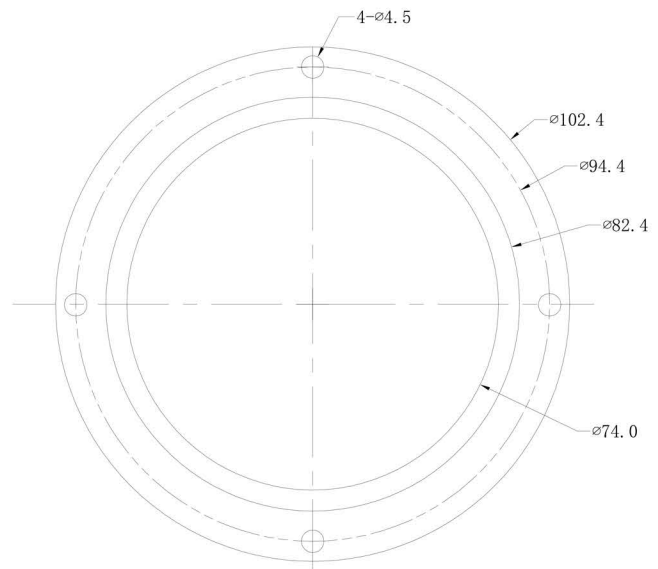
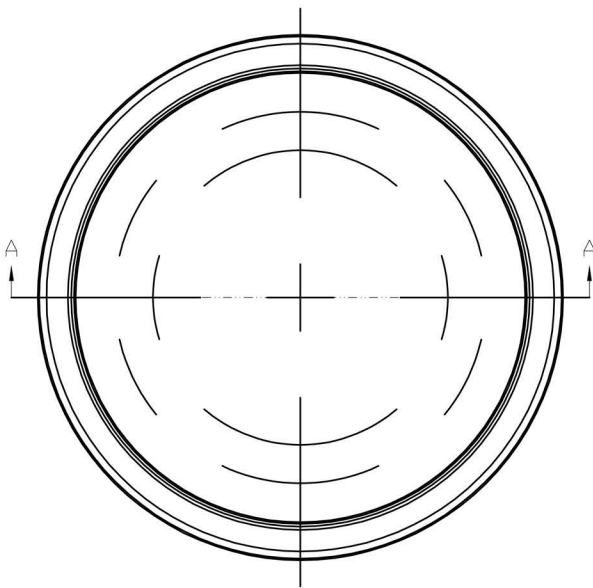
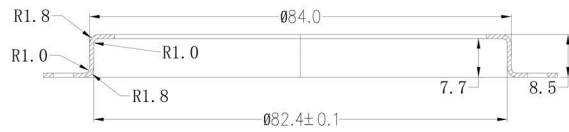
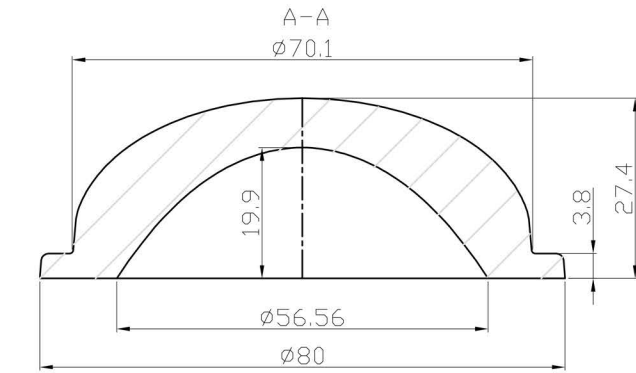


Led Luminous
Surface:
Ø14.5mm



Led Luminous
Surface:
Ø29mm

PARAMETERS





GT-92-17NA

Excellent lens from GUANG TAI
Especially for high bay lighting

NEW

FEATURES

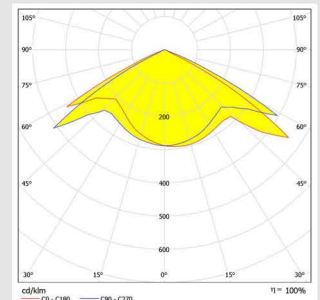
- Suitable for high bay lighting, projector lighting and other indoor architectural and general lighting
- Has extremely low glare with the function of micro-structures
- Supporting a wide range of different size COB

TYPICAL APPLICATIONS

- High bay lighting

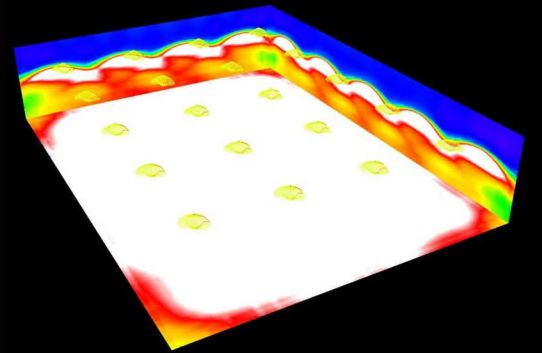
DESIGN EXAMPLE

FWHM:	126°
LED (W):	10-300
Luminous Surface(mm):	Φ25-55
DXH(mm):	92X20
Material:	Borosilicate Glass
Tolerance(mm) \pm :	± 0.3
Working Temp (°C):	-50~450

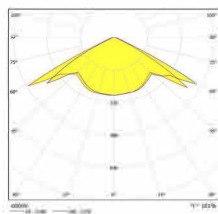


Typical efficiency: 96%

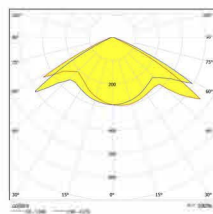
- High efficiency and excellent uniformity
- Perfect for industrial halls and horticultural lighting
- Spot, medium and wide beams



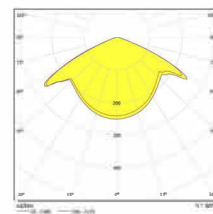
LIGHT DISTRIBUTION CURVE



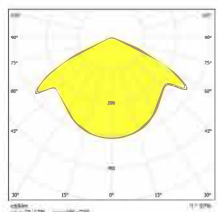
Led Luminous
Surface:
Ø11.2mm



Led Luminous
Surface:
Ø17mm

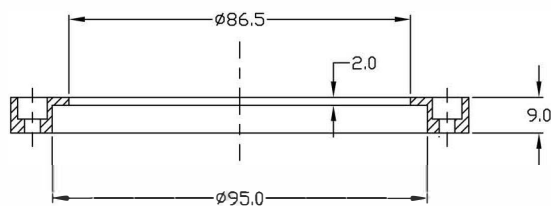
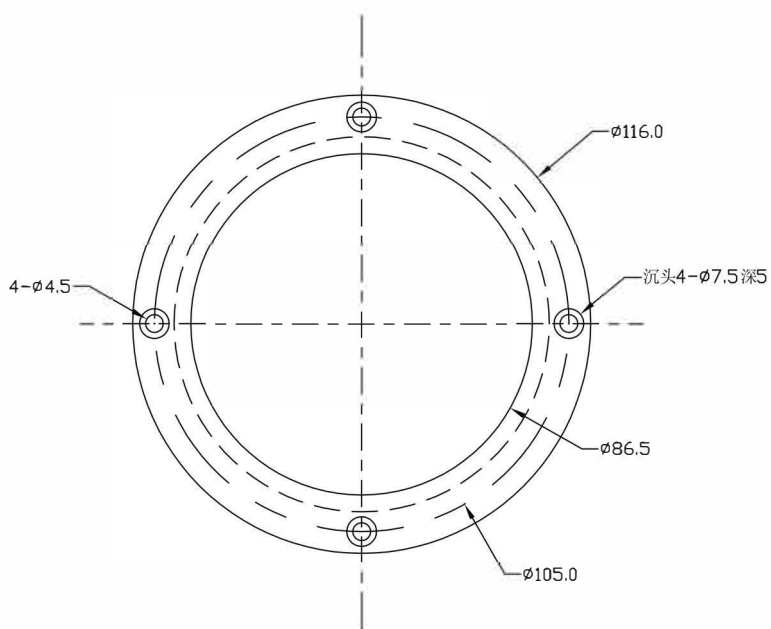
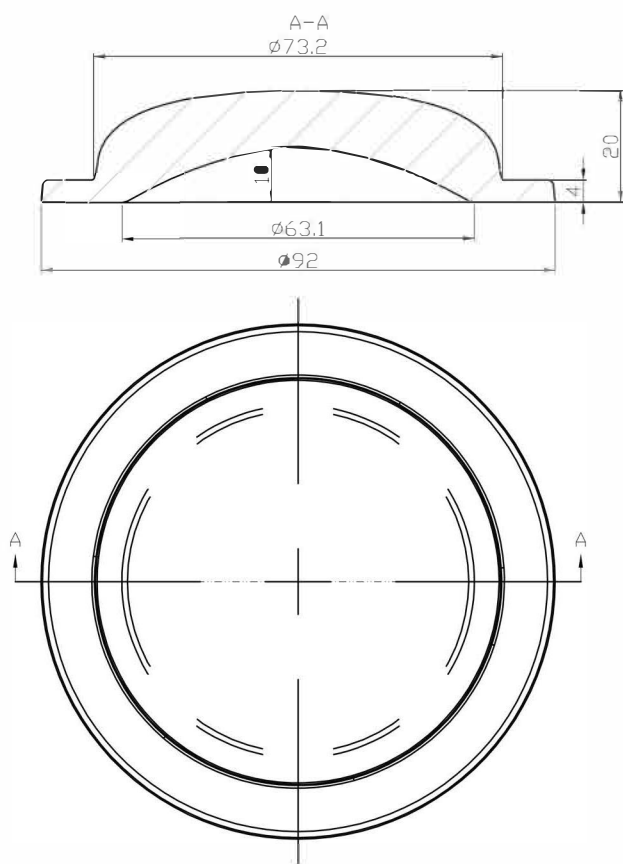


Led Luminous
Surface:
Ø24.5mm



Led Luminous
Surface:
Ø29mm

PARAMETERS





GT-94-8NA

Excellent lens from GUANG TAI
Especially for high bay lighting

NEW

FEATURES

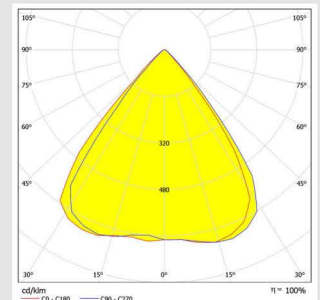
- Suitable for high bay lighting, projector lighting and other indoor architectural and general lighting
- Has extremely low glare with the function of micro-structures
- Supporting a wide range of different size COB

TYPICAL APPLICATIONS

- High bay lighting

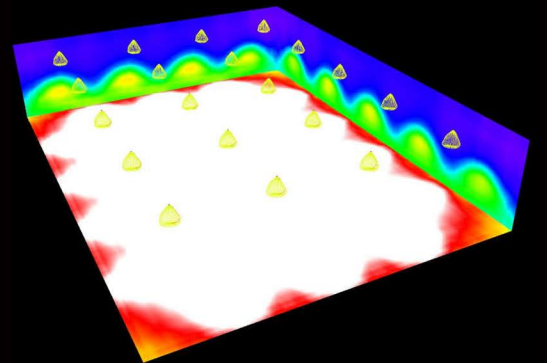
DESIGN EXAMPLE

FWHM:	77.7°
LED (W):	10-500
Luminous Surface(mm):	Φ25-35
DXH(mm):	94X40.5
Material:	Borosilicate Glass
Tolerance(mm) \pm :	± 0.3
Working Temp (°C):	-50~450

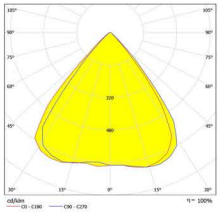


Typical efficiency: 94%

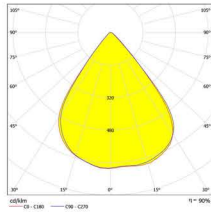
- High efficiency and excellent uniformity
- Perfect for industrial halls and horticultural lighting
- Spot, medium and wide beams



LIGHT DISTRIBUTION CURVE

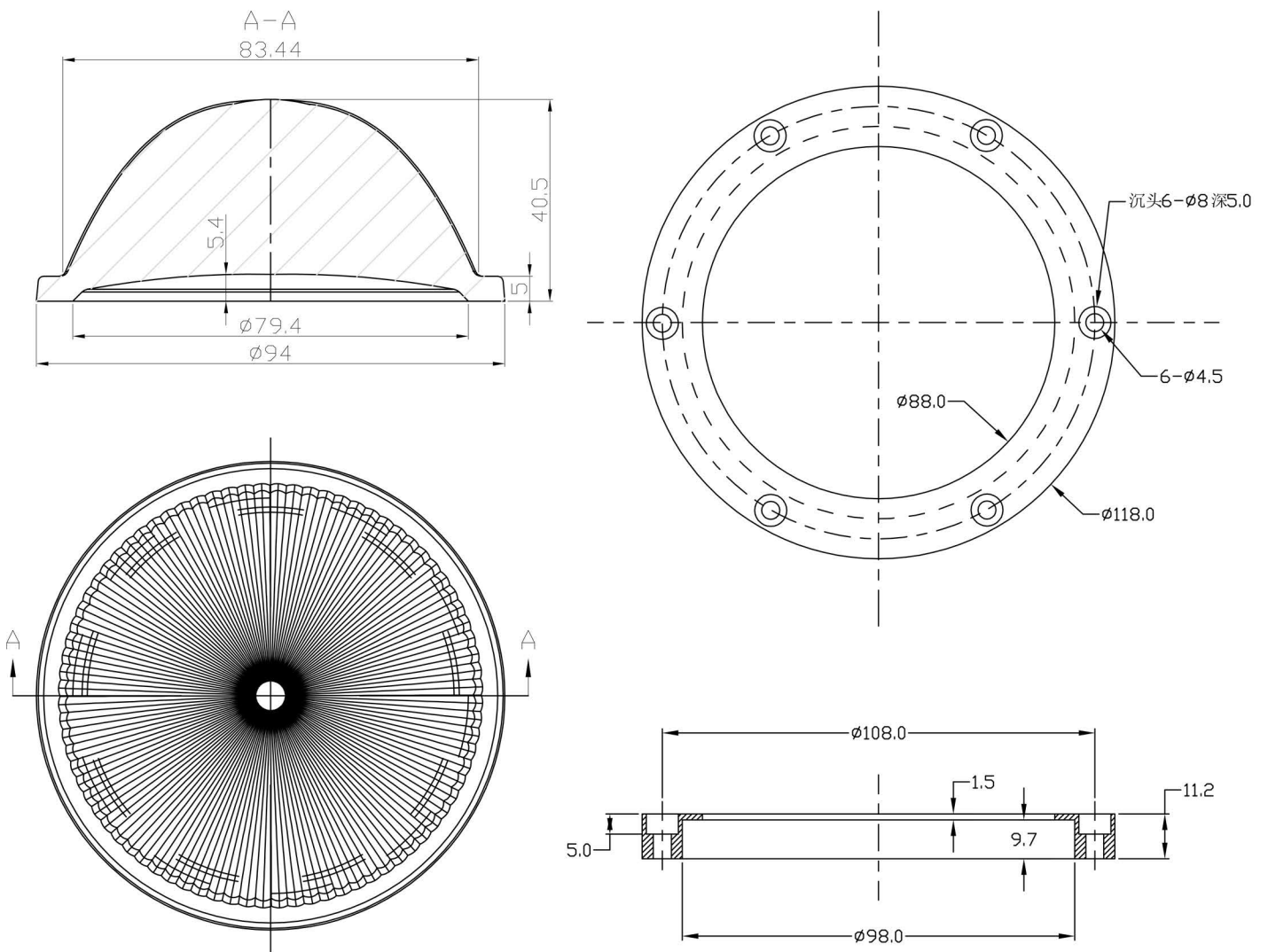


Led Luminous
Surface:
Ø24.5mm



Led Luminous
Surface:
Ø35.5mm

PARAMETERS





GT-100-20NA

Excellent lens from GUANG TAI
Especially for high bay lighting

NEW

FEATURES

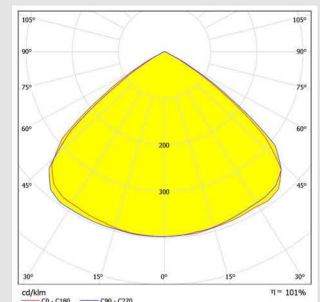
- Suitable for high bay lighting, projector lighting and other indoor architectural and general lighting
- Has extremely low glare with the function of micro-structures
- Supporting a wide range of different size COB

TYPICAL APPLICATIONS

- High bay lighting

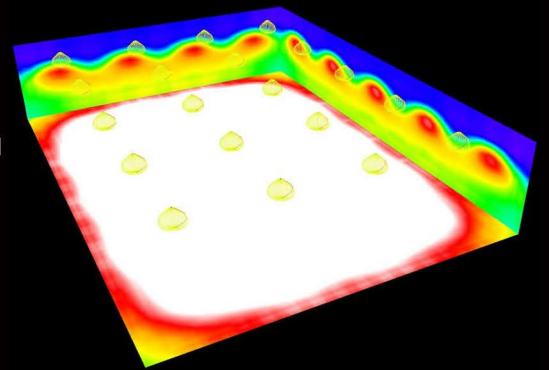
DESIGN EXAMPLE

FWHM:	106.8°
LED (W):	10-500
Luminous Surface(mm):	Φ25-55
DXH(mm):	100X30
Material:	Borosilicate Glass
Tolerance(mm) \pm :	± 0.3
Working Temp (°C):	-50~450

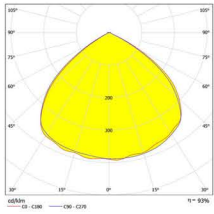


Typical efficiency: 96%

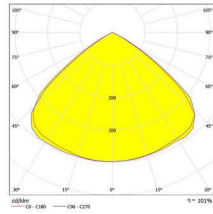
- High efficiency and excellent uniformity
- Perfect for industrial halls and horticultural lighting
- Spot, medium and wide beams



LIGHT DISTRIBUTION CURVE

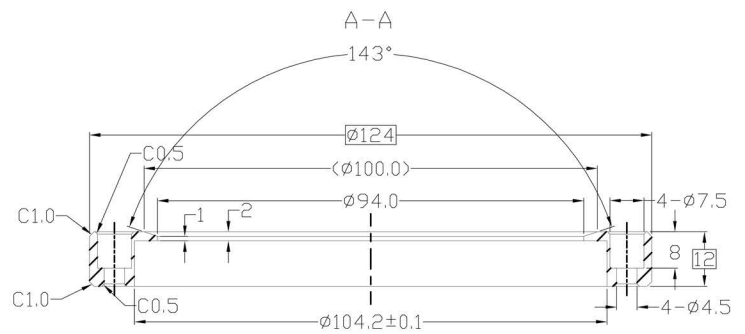
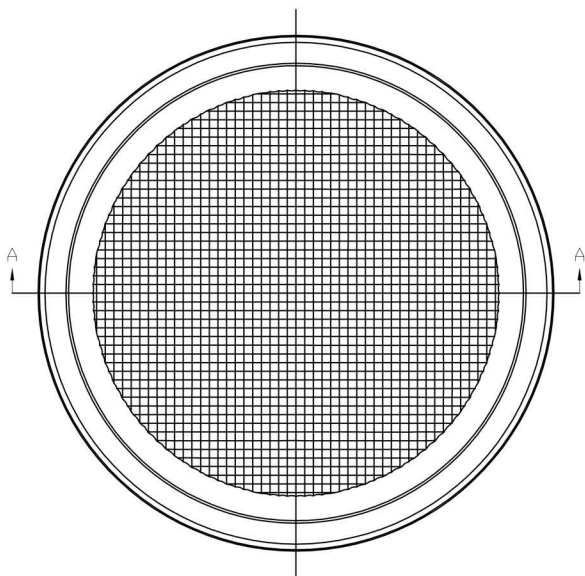
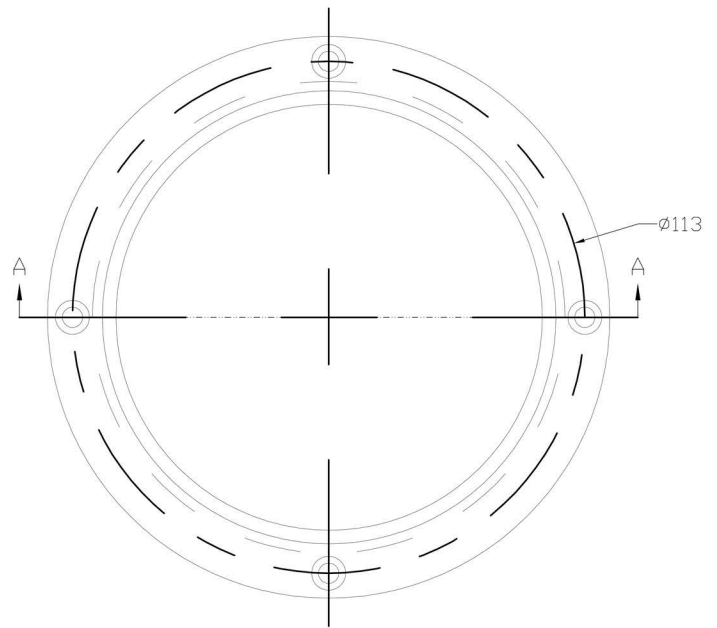
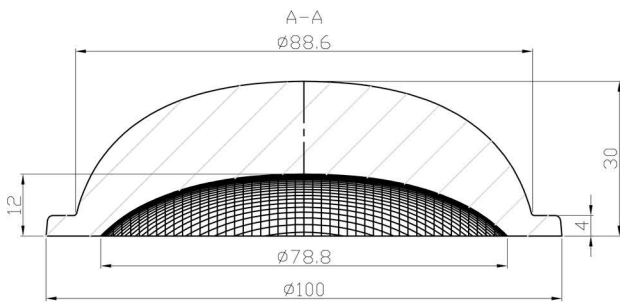


Led Luminous
Surface:
Ø24.5mm



Led Luminous
Surface:
Ø35.5mm

PARAMETERS





GT-100-43NA

Excellent lens from GUANG TAI

Especially for high bay lighting

NEW

FEATURES

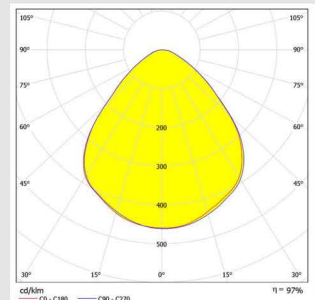
- Suitable for high bay lighting, projector lighting and other indoor architectural and general lighting
- Has extremely low glare with the function of micro-structures
- Supporting a wide range of different size COB

TYPICAL APPLICATIONS

- High bay lighting

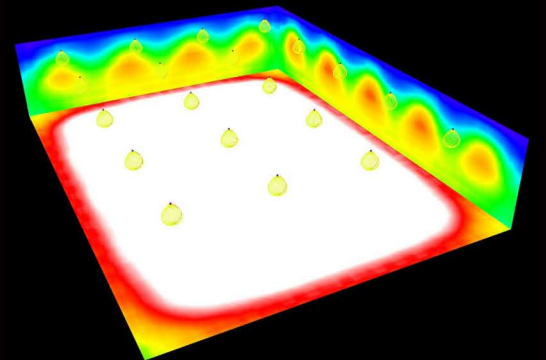
DESIGN EXAMPLE

FWHM:	92°
LED (W):	10-500
Luminous Surface(mm):	Φ25-55
DXH(mm):	99.4X31
Material:	Borosilicate Glass
Tolerance(mm) \pm :	± 0.3
Working Temp (°C):	-50~450

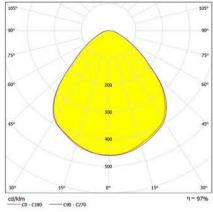


Typical efficiency: 96%

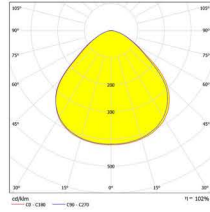
- High efficiency and excellent uniformity
- Perfect for industrial halls and horticultural lighting
- Spot, medium and wide beams



LIGHT DISTRIBUTION CURVE

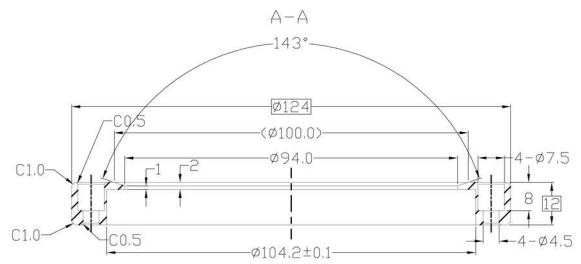
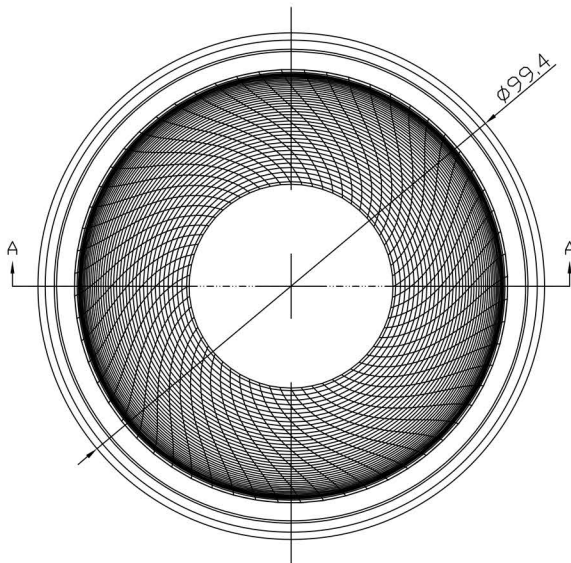
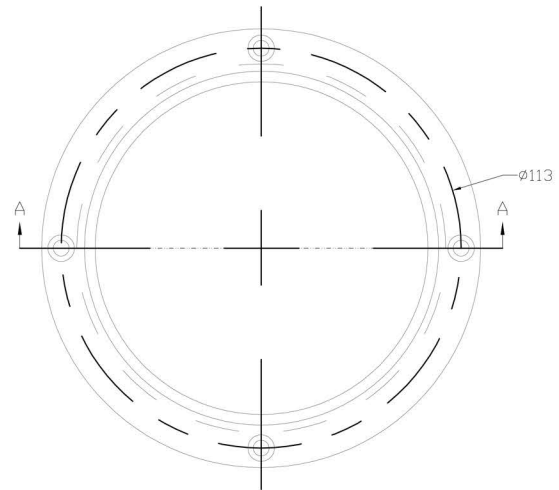
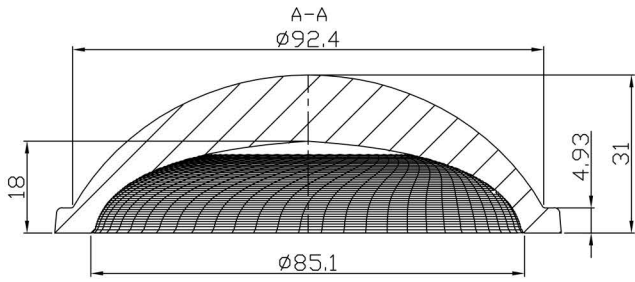


Led Luminous
Surface:
Ø24.5mm



Led Luminous
Surface:
Ø29mm

PARAMETERS





GT-114-4NA

Excellent lens from GUANG TAI
Especially for high bay lighting

NEW

FEATURES

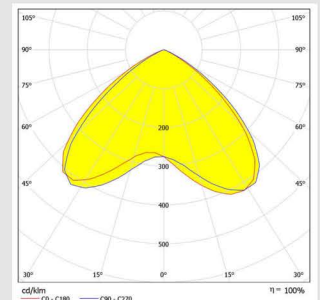
- Suitable for high bay lighting, projector lighting and other indoor architectural and general lighting
- Has extremely low glare with the function of micro-structures
- Supporting a wide range of different size COB

TYPICAL APPLICATIONS

- High bay lighting

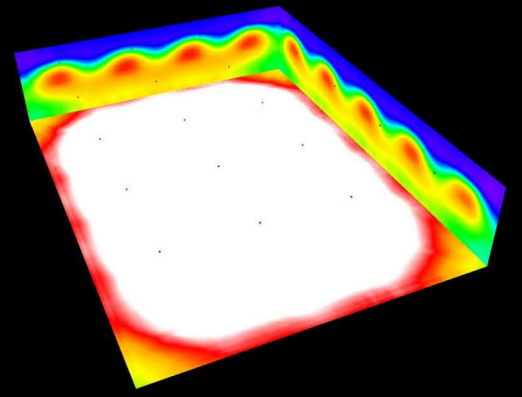
DESIGN EXAMPLE

FWHM:	113.6°
LED (W):	10-500
Luminous Surface(mm):	Φ25-55
DXH(mm):	114X36.2
Material:	Borosilicate Glass
Tolerance(mm) \pm :	± 0.3
Working Temp (°C):	-50~450

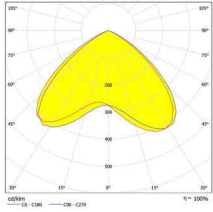


Typical efficiency: 95%

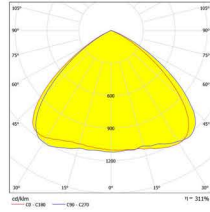
- High efficiency and excellent uniformity
- Perfect for industrial halls and horticultural lighting
- Spot, medium and wide beams



LIGHT DISTRIBUTION CURVE

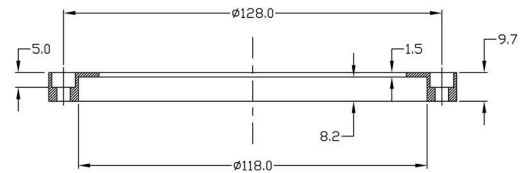
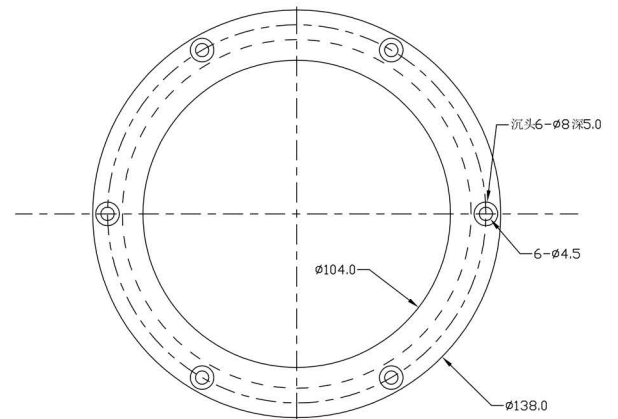
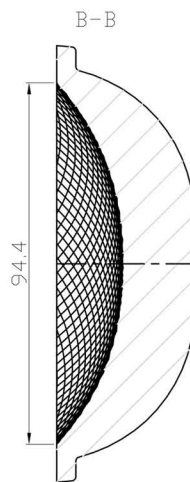
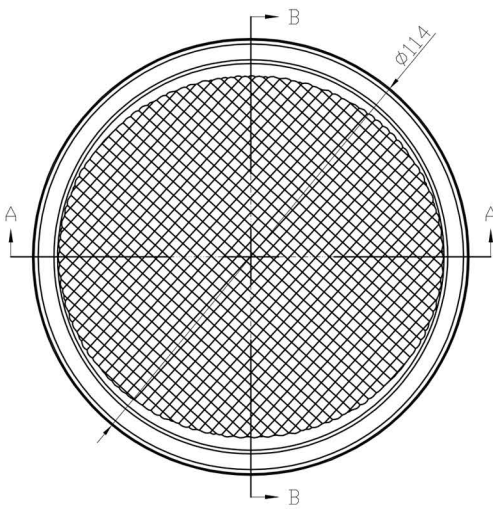
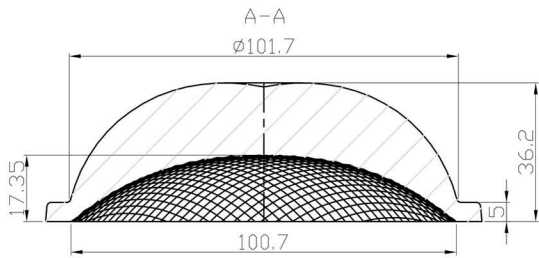


Led Luminous
Surface:
Ø24.5mm



Led Luminous
Surface:
Ø35.5mm

PARAMETERS

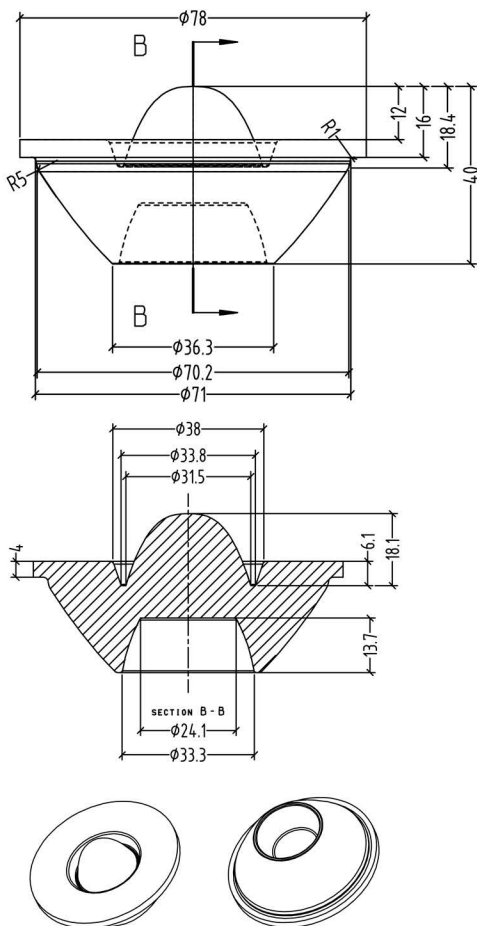




GT-78-65

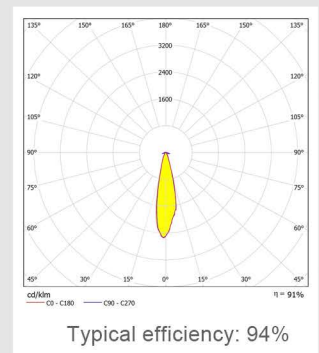
Excellent lens from Guangtai
Special for high standard high power
Project lighting , small beam angle lighting

NEW



Optical Data

FWHM:	23°
Led(W):	30~100
Luminous surface(mm):	Ø12.5~22
D*H(mm) :	78*40
Material:	Borosilicate Glass
Tolerance(mm):	±0.3
Working Temp (°C) :	-50~450

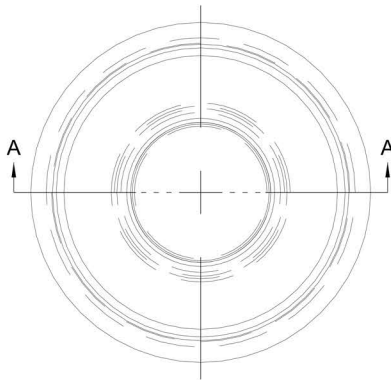
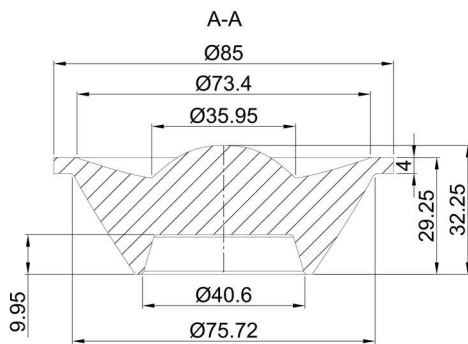




GT-85-10

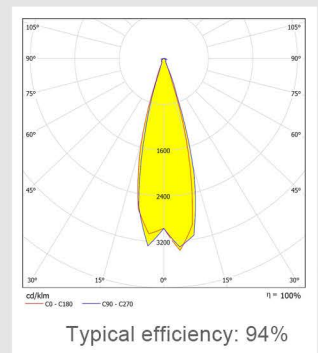
Excellent lens from Guangtai
Special for high standard high power
Project lighting , small angle lighting

NEW



Optical Data

FWHM:	35°
Led(W):	30~100
Luminous surface(mm):	Ø12.5~22
D*H(mm) :	85*32.25
Material:	Borosilicate Glass
Tolerance(mm):	±0.3
Working Temp (°C) :	-50~450

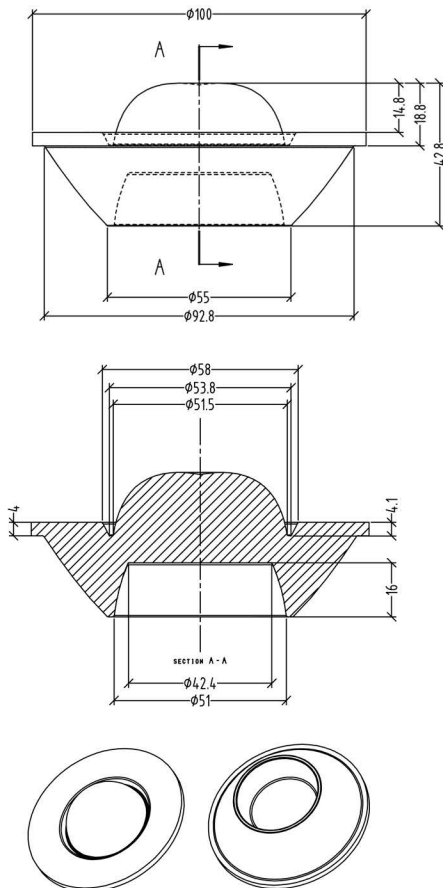




GT-100-70

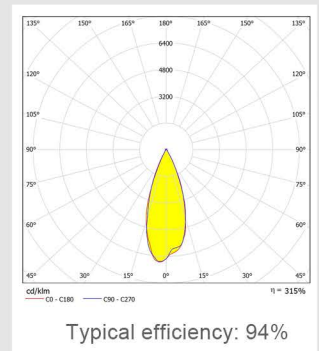
Excellent lens from Guangtai
Special for high standard high power
Project lighting , small beam angle lighting

NEW



Optical Data

FWHM:	38°
Led(W):	30~200
Luminous surface(mm):	Ø12.5~28
D*H(mm) :	100*42.8
Material:	Borosilicate Glass
Tolerance(mm):	±0.3
Working Temp (°C) :	-50~450

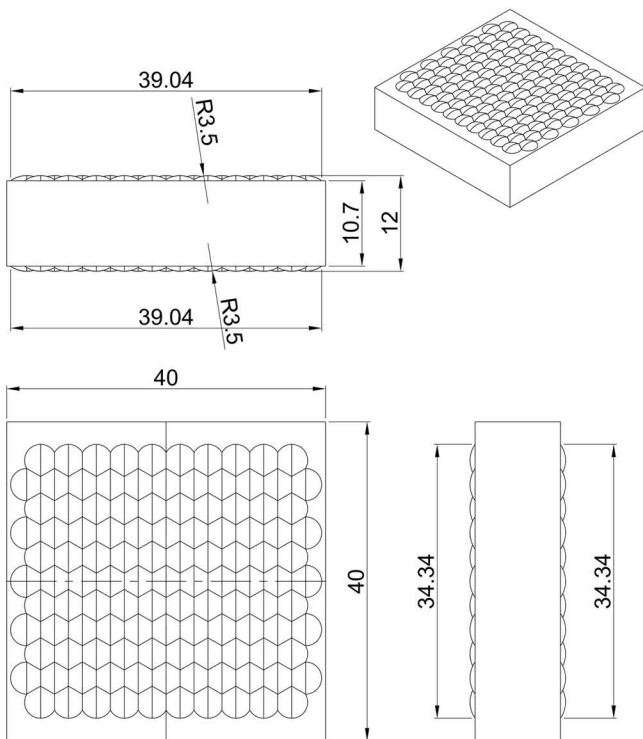




GT-40-5

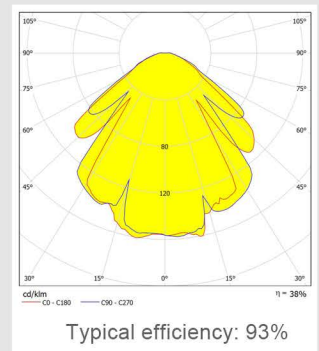
Excellent lens from Guangtai
Special for high standard
Project lighting , stage lighting

NEW



Optical Data

FWHM:	100°
Led(W):	10-50
Luminous surface(mm):	Ø12.5~22
D*H(mm) :	40*40*12
Material:	Borosilicate Glass
Tolerance(mm):	±0.3
Working Temp (°C) :	-50~450

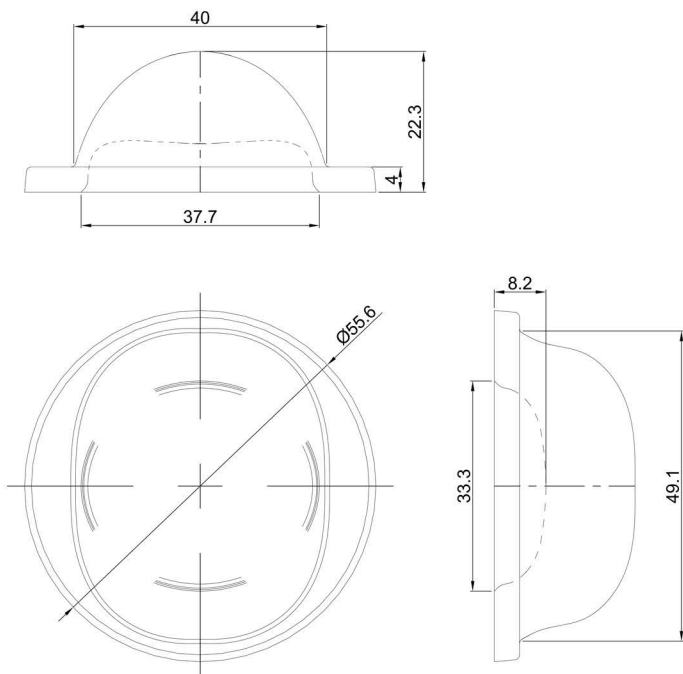




GT-55-12

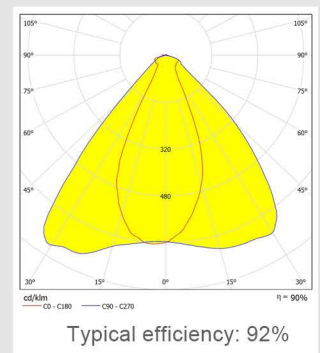
Excellent lens from Guangtai
Special for high standard
Project lighting , stage lighting

NEW



Optical Data

FWHM:	68.6°
Led(W):	10-50
Luminous surface(mm):	Ø12.5~22
D*H(mm) :	55.6*22.3
Material:	Borosilicate Glass
Tolerance(mm):	±0.3
Working Temp (°C) :	-50~450

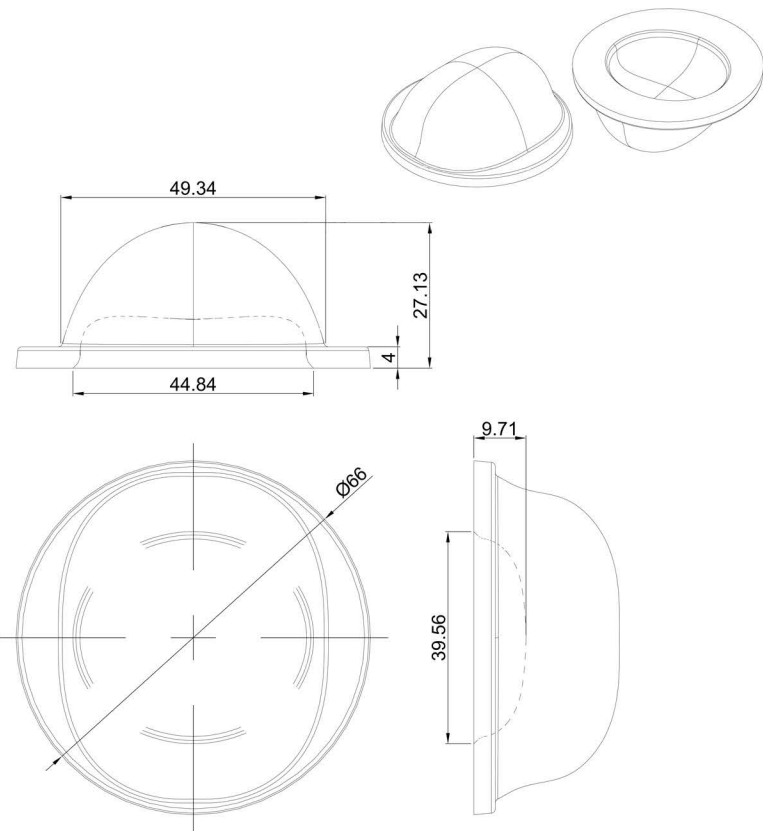




GT-66-24 NA

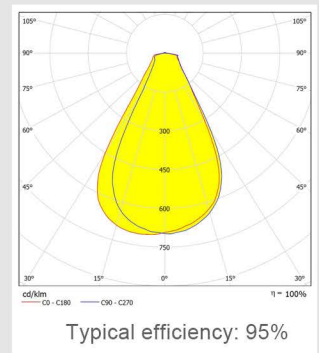
Excellent lens from Guangtai
Special for high standard
street lighting, road lighting and project lighting

NEW



Optical Data

Type:	Type II Medium
FWHM:	65° - 140°
Asymmetric Angle:	0°
Led(W):	10~50
Luminous surface(mm):	Ø9.8~22
D*H(mm) :	66*24.4
Material:	Borosilicate Glass
Tolerance(mm):	±0.3
Working Temp (°C) :	-50~450

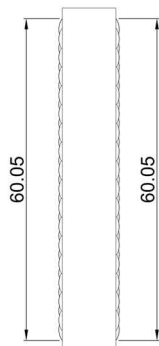
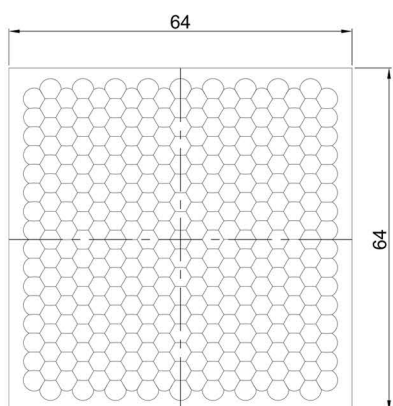
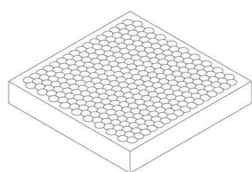
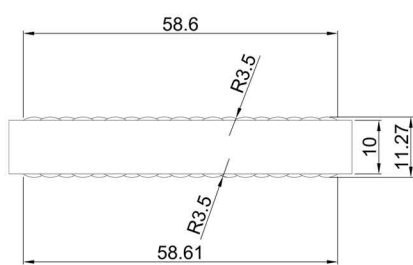




GT-68-4

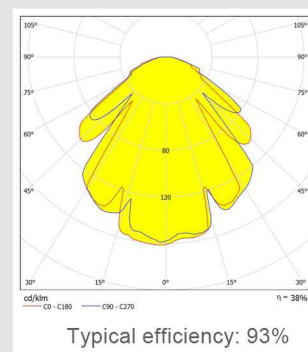
Excellent lens from Guangtai
Special for high standard
Project lighting , stage lighting

NEW



Optical Data

FWHM:	110°
Led(W):	30~100
Luminous surface(mm):	Ø12.5~22
D*H(mm) :	64*64*11.27
Material:	Borosilicate Glass
Tolerance(mm):	±0.3
Working Temp (°C) :	-50~450



 **Citi-el**
LED up your business

+7 (499) 647-80-74

zakaz@citi-el.ru

www.citi-el.ru